

**GS1 standards in the logistic:
Logistic information flow with EANCOM® 2002
Version 2.3**

Period-related inventory data report
(INVRPT)

EANCOM® 2002 Syntax 3

Introduction.....	2
Business Terms	4
Branching Diagram	6
Message structure	10
Segment Layout	11
Used Codes.....	42
Example.....	121

Introduction

Introduction

The aim of the brochure on hand is to offer documentation describing the exchange of purchase order data between business partners.

The basis of this elaboration is the international standard EANCOM® 2002. The message type INVRPT 005 is used to transmit relevant data. GEFEG.FX (Gefeg mbH, Berlin) was used as the documentation tool.

Please be aware to know that this booklet does not replace the complete specifications in the original chapters or other relevant instructions within the EANCOM® 2002 documentation. Instead, it deals with the description of segments, data elements and codes to be used for a specific task.

The current documentation has been produced by the GS1 Germany GmbH in Cologne. GS1 Germany assumes no liability for any damages incurring from the use of this documentation. This brochure or extracts thereof may only be published or forwarded to third parties with the express written consent of GS1 Germany, which holds copyright on this work.

Important note:

To fulfill the requirements of directive 2003/58/EG, article 4, C058 has been opened in NAD segments identifying a message sender. If the place in the 5 DE 3124 is not sufficient, the following RFF segments can be used, qualified with DE 1153 = GN. DE 1154 has got a capacity of 70 digits. Only in those cases, when no RFF segment follows NAD, a RFF+GN can be used in the heading section of the message. Within the EDI recommendations of GS1 Germany this is only applicable for the messages REMADV and SLSFCT.

This brochure offers different ways to start:

"Introduction" contains a short description of the respective message.

"Business Terms", is a table which links directly to the sequence numbers of the segments.

"Diagram", is a hierarchical graphic depiction of all used segments in the same sequence as they are defined in the EANCOM® message. However, every segment is shown only once, and it is therefore possible that the sequence numbering is interrupted.

"Structure", is a list of all used segments in the same sequence as they are defined in the EANCOM® message. In general, for each piece of information one single segment is provided. Exeptions may arise when the the occurrence of a segment is limited and can contain alternative information (e.g., segment BGM).

"Segmentlayout", an illustration that has been chosen to match the business terms (data from the inhouse application) with the elements from the EANCOM® syntax.

"Codes" contains a list of the codes used in the message.

"Examples", provides at least one message example with comments. Please note that, for technical reasons, the examples can contain component data element separators, which would otherwise be represented as data element separators in the original messages.

"Print" opens the PDF documentation for the corresponding message.

The following conventions apply to this brochure:

Introduction

Message structure

Heading section

Specification of buyer and supplier, message date and number.

Detail section

Specification of SSCC to identify shipments and quantity.

Summary section

Specification of totals of the message.

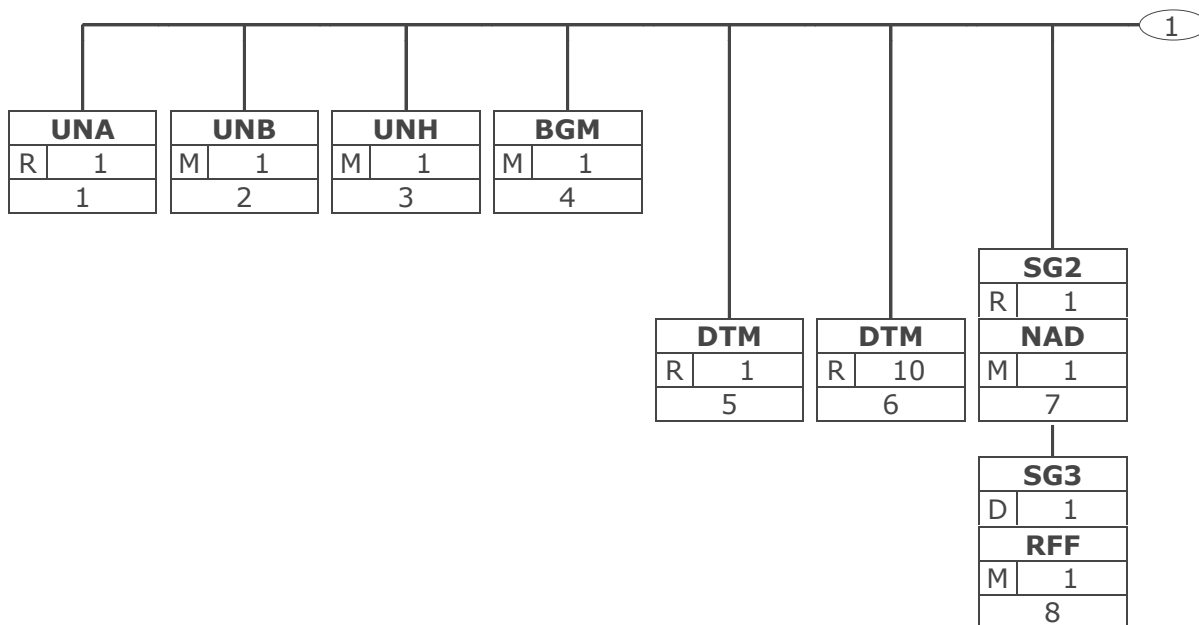
Business Terms

Business Term	EANCOM-Segment		Data Element	
	Seg.-No.	Segment SG	DEG	DE
Acknowledgement request	2	UNB		0031
Address for reverse routing	2	UNB	S002	0008
Application reference	2	UNB		0026
Batch number	17	PIA SG9#1	C212	7140
Best before date	21	DTM SG9#1\SG11#1	C507	2380
Character set	2	UNB	S001	0001
Component data element separator	1	UNA		UNA1
Creation date	5	DTM	C507	2380
Data element separator	1	UNA		UNA2
Date of inventory report	6	DTM	C507	2380
Decimal notation	1	UNA		UNA3
EANCOM	2	UNB		0032
End of the transmission file	29	UNZ		0036
File creation date	2	UNB	S004	0017
File creation time	2	UNB	S004	0019
GTIN	14	LIN SG9#1	C212	7140
Hierarchical identification number	24	CPS SG9#1\SG11#1 \SG15#1		7164
Identification of the logistic area	20	LOC SG9#1\SG11#1	C519	3223
Identification of the logistic service provider	10	NAD SG2#3	C082	3039
Identification of the name of sub-entities (state, province) defined by appropriate governmental agencies of the warehouse	12	NAD SG2#4	C819	3229
Identification of the recipient	9	NAD SG2#2	C082	3039
Identification of the warehouse	12	NAD SG2#4	C082	3039
Identification of the receiver of the transmission file	2	UNB	S003	0010
Identification of the sender of the transmission file	2	UNB	S002	0004
Interchange control reference, beginnig	2	UNB		0020
Interchange control reference, end	29	UNZ		0020
Inventory movement direction	18	INV SG9#1\SG11#1		4501
Inventory report number	4	BGM	C106	1004
Line item number	14	LIN SG9#1		1082
Location of goods	20	LOC SG9#1\SG11#1	C517	3225
Marking with SSCC	26	PCI SG9#1\SG11#1 \SG15#1\SG16 #1\SG17#1		4233
Message reference number	3	UNH		0062
Name of the warehouse 1	12	NAD SG2#4	C080	3036
Name of the warehouse 2	12	NAD SG2#4	C080	3036
Number of messages or message groups	29	UNZ		0036

Business Terms

Business Term	EANCOM-Segment		Data Element	
	Seg.-No.	Segment SG	DEG	DE
Number of packages	25	PAC SG9#1\SG11#1 \SG15#1\SG16 #1		7224
Password interchange	2	UNB	S005	0022
Place of the warehouse - name of a city (town, village) for addressing purposes.	12	NAD SG2#4		3164
Postcode of the warehouse	12	NAD SG2#4		3251
Promotional product	16	PIA SG9#1	C212	7140
Release character	1	UNA		UNA4
Reserved for future use	1	UNA		UNA5
Routing address	2	UNB	S003	0014
Segment terminator	1	UNA		UNA6
Serial Shipping Container Code (SSCC)	27	GIN SG9#1\SG11#1 \SG15#1\SG16 #1\SG17#1	C208	7402
Statements on business letters	8	RFF SG2#1\SG3#1	C506	1154
Statements on business letters	11	RFF SG2#3\SG3#1	C506	1154
Statements on business letters	13	RFF SG2#4\SG3#1	C506	1154
Status information	22	STS SG9#1\SG11#1	C555	4405
Status information	23	STS SG9#1\SG11#1	C555	4405
Status type	22	STS SG9#1\SG11#1	C601	9015
Status type	23	STS SG9#1\SG11#1	C601	9015
Stock movement amount	19	QTY SG9#1\SG11#1	C186	6060
Street and number of the warehouse	12	NAD SG2#4	C059	3042
Supplier identification	7	NAD SG2#1	C082	3039
Supplier's article number	15	PIA SG9#1	C212	7140
Syntax version	2	UNB	S001	0002
Test indicator	2	UNB		0035
Total number of segments	28	UNT		0074

Branching Diagram



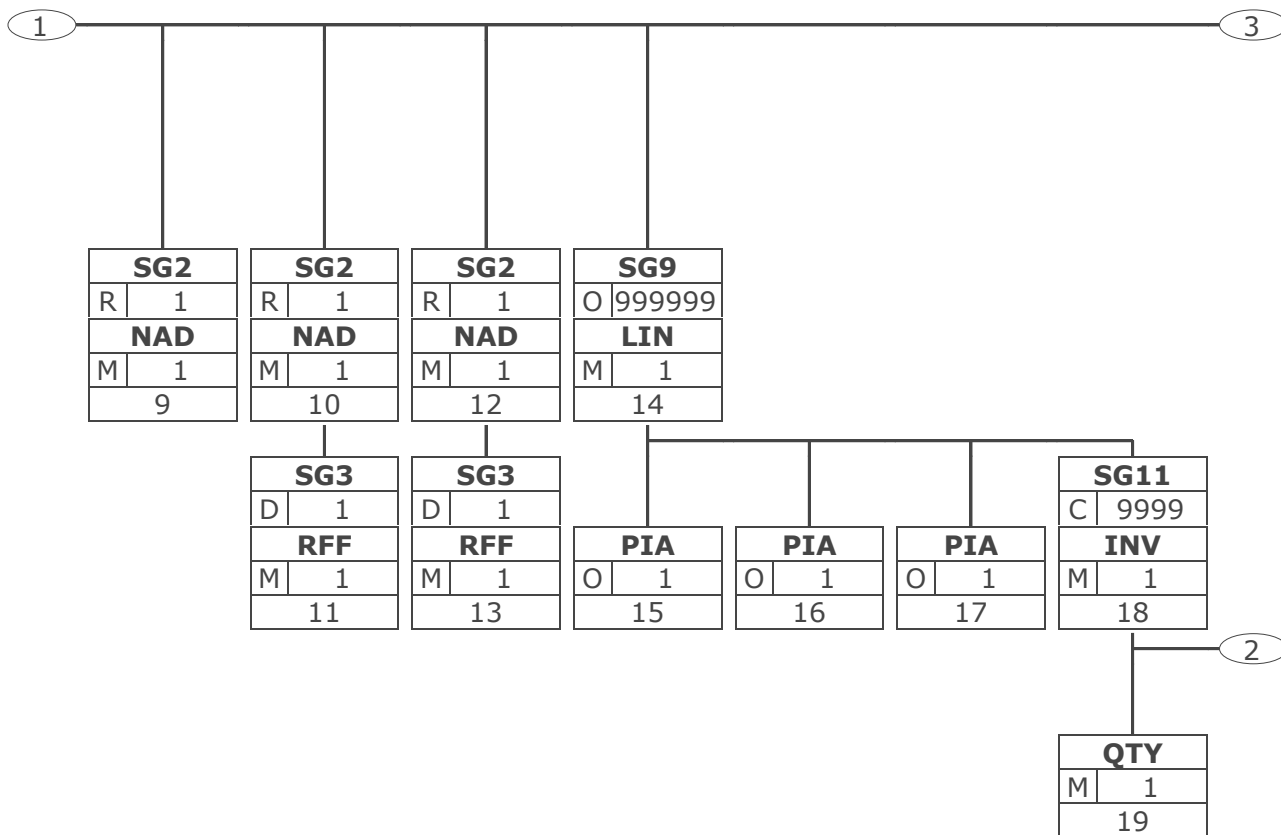
Tag	
St	MaxOcc
No	

Tag = Segment/Group Tag

St = Status (M=Mandatory, C=Conditional, R=Required, O=Optional, A=Advised, D=Dependent)

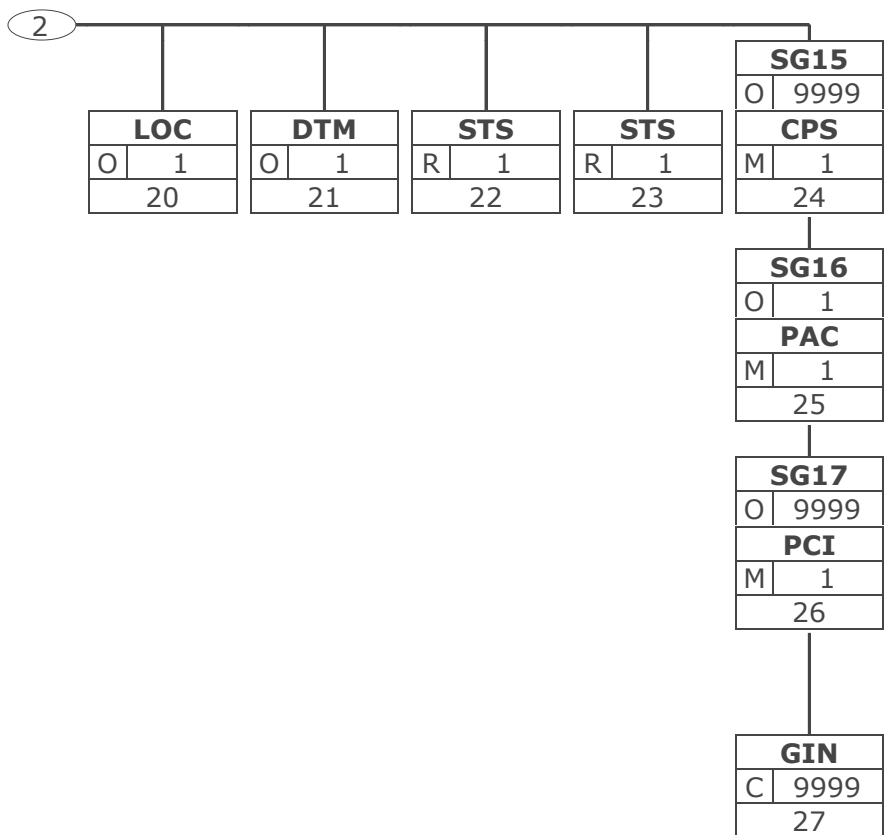
MaxOcc = Maximum occurrence of the segment/group; No = Consecutive segment number

Branching Diagram



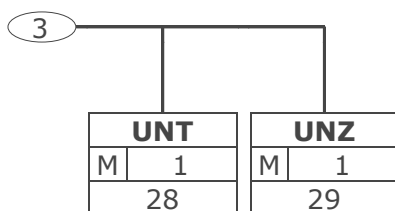
Tag	Tag = Segment/Group Tag
St MaxOcc	St = Status (M=Mandatory, C=Conditional, R=Required, O=Optional, A=Advised, D=Dependent)
No	MaxOcc = Maximum occurrence of the segment/group; No = Consecutive segment number

Branching Diagram



Tag	Tag = Segment/Group Tag
St MaxOcc	St = Status (M=Mandatory, C=Conditional, R=Required, O=Optional, A=Advised, D=Dependent)
No	MaxOcc = Maximum occurrence of the segment/group; No = Consecutive segment number

Branching Diagram



Tag	Tag = Segment/Group Tag
St MaxOcc	St = Status (M=Mandatory, C=Conditional, R=Required, O=Optional, A=Advised, D=Dependent)
No	MaxOcc = Maximum occurrence of the segment/group; No = Consecutive segment number

Message Structure

Seg.	No.	Status	Max Occ	Segment
UNA	1	R	1	Used character set
UNB	2	M	1	Beginning of transmission file
Heading Section				
UNH	3	M	1	Beginn of message
BGM	4	M	1	Document number
DTM	5	R	1	Creation date
DTM	6	R	10	Date of inventory report
SG2		R	1	NAD-SG3
NAD	7	M	1	Supplier identification
SG3		D	1	RFF
RFF	8	M	1	Statements on business letters
SG2		R	1	NAD
NAD	9	M	1	Identification of the message recipient
SG2		R	1	NAD-SG3
NAD	10	M	1	Identification of the logistic service provider
SG3		D	1	RFF
RFF	11	M	1	Statements on business letters
SG2		R	1	NAD-SG3
NAD	12	M	1	Identification of the warehouse
SG3		D	1	RFF
RFF	13	M	1	Statements on business letters
Detail Section				
SG9		O	9999999	LIN-PIA-PIA-PIA-SG11
LIN	14	M	1	GTIN article number
PIA	15	O	1	Suppliers article number
PIA	16	O	1	Promotional product
PIA	17	O	1	Batch number
SG11		C	9999	INV-QTY-LOC-DTM-STS-STS-SG15
INV	18	M	1	Inventory data
QTY	19	M	1	Stock movement amount
LOC	20	O	1	Location of goods
DTM	21	O	1	Best before date
STS	22	R	1	Status Old
STS	23	R	1	Status New
SG15		O	9999	CPS-SG16
CPS	24	M	1	Sequence of packages within the consignment
SG16		O	1	PAC-SG17
PAC	25	M	1	Number of packages
SG17		O	9999	PCI-GIN
PCI	26	M	1	Marking with SSCC
GIN	27	C	9999	Serial Shipping Container Code (SSCC)
Summary Section				
UNT	28	M	1	End of message
UNZ	29	M	1	End of the transmission file

Max. Occ. = Maximum occurrence of the segment/group, Status: M=Mandatory, C=Conditional, R=Required, O=Optional, A=Advised, D=Dependent

Segment Layout

No. Seg	St	Max. Occ.			
1		R 1	UNA Service string advice		
To define the characters selected for use as delimiters and indicators in the rest of the interchange that follows.					
Business Term	DE	EDIFACT	Format	St	* Description
Component data element separator	UNA1	Component data element separator	an1	M	Default value: ":"
Data element separator	UNA2	Data element separator	an1	M	Default value: "+"
Decimal notation	UNA3	Decimal notation	an1	M	Default value: "."
Release character	UNA4	Release indicator	an1	M	Default value: "?"
Reserved for future use	UNA5	Reserved for future use	an1	M	(Default value: space)
Segment terminator	UNA6	Segment terminator	an1	M	Default value: "' '
<p>Segmentstatus: Mandatory</p> <p>The use of the UNA segment is mandatory, if character set "A" (UNB,DE0001) is not used. For international EDI the use of character set UNOA is recommended. For national (German) EDI the use of UNOC is reasonable because it contains lower case letters and umlauts.</p> <p>Example: UNA:+.?' '</p> <p>The UNA segment contains the default service string characters.</p>					

Max. Occ. = Maximum Occurrence, St = Status, * = Restricted Codes
 Status: M=Mandatory, R=Required, O=Optional, D=Dependent, A=Advised, N=Not used

Segment Layout

No. Seg	St	Max. Occ.				
2	UNB	M 1	Interchange header To start, identify and specify an interchange.			
Business Term	DE	EDIFACT	Format	St	*	Description
	S001	Syntax identifier		M		
Character set	0001	Syntax identifier	a4	M		UNOA UN/ECE level A UNOB UN/ECE level B UNOC UN/ECE level C UNOD UN/ECE level D UNOE UN/ECE level E UNOF UN/ECE level F
Syntax version	0002	Syntax version number	n1	M	*	3 Version 3
	S002	Interchange sender		M		
Indentification of the sender of the transmission file	0004	Sender identification	an..35	M		= Global Location Number (GLN)
	0007	Partner identification code qualifier	an..4	R	*	14 GS1
Address for reverse routing	0008	Address for reverse routing	an..14	O		See note
	S003	Interchange recipient		M		
Indentification of the receiver of the transmission file	0010	Recipient identification	an..35	M		= Global Location Number (GLN)
	0007	Partner identification code qualifier	an..4	R	*	14 GS1
Routing address	0014	Routing address	an..14	O		See note
	S004	Date/time of preparation		M		
File creation date	0017	Date of preparation	n6	M		= Dateformat JJMMTT
File creation time	0019	Time of preparation	n4	M		= Timeformat HHMM
Interchange control reference, beginnig	0020	Interchange control reference	an..14	M		= Unique senders reference
	S005	Recipient's reference, password		O		
Password interchange	0022	Recipient's reference/ password	an..14	M		
	0025	Recipient's reference/ password qualifier	an2	O	*	AA Reference BB Password
Application reference	0026	Application reference	an..14	O		Message type if the transmission fole contains only one message type
	0029	Processing priority code	a1	O	*	A Highest priority
Acknowledgement request	0031	Acknowledgement request	n1	O		
EANCOM	0032	Communications agreement ID	an..35	R		= EANCOM... EDIFACT subset identification (see note)
Test indicator	0035	Test indicator	n1	O	*	1 Interchange is a test

Max. Occ. = Maximum Occurrence, St = Status, * = Restricted Codes
 Status: M=Mandatory, R=Required, O=Optional, D=Dependent, A=Advised, N=Not used

Segment Layout

Segmentstatus: Mandatory

For international EDI the use of character set UNOA is recommended. For national (German) EDI the use of UNOC is reasonable because it contains lower case letters and umlauts.

Note DE 0008:

The address for reverse routing is provided by the interchange sender to inform the interchange recipient of the address within the sender's (source) system to which responding interchanges must be sent. It is recommended that the GLN be used for this purpose.

Note DE 0014:

The routing address is used to identify the receiver, if a provider adds service values for the actual receiver (e.g. consolidated companies, corporate group). The use of the identification system (e.g. GLN) has to be agreed bilaterally.

Note DE 0020:

This data element must contain a consistent sequential number per interchange between sender and receiver of the transmission.

Note DE 0032:

This data element is used to identify any underlying agreements which control the exchange of data. Within EANCOM , the identity of such agreements must start with the letters 'EANCOM', the remaining characters within the data element being filled according to bilateral agreements.

Example: UNB+UNOC:3+4012345000009:14:4012345000018+4000004000002:14:4000004000099+161013:1043+4711+REF:AA+++EANCOM+1'

The EANCOM file 4711 dated 13.10.2016, 10 h 43 is sent by the issuer identified with GLN 4012345000009 to the receiver identified with GLN 4000004000002.

Max. Occ. = Maximum Occurrence, St = Status, * = Restricted Codes

Status: M=Mandatory, R=Required, O=Optional, D=Dependent, A=Advised, N=Not used

Segment Layout

No. Seg	St	Max. Occ.				
3	UNH	M 1	Message header To head, identify and specify a message.			
Business Term	DE	EDIFACT	Format	St	*	Description
Message reference number	0062	Message reference number	an..14	M		Senders unique message reference. Sequence number of the messages in the interchange. DE 0062 in the UNT will be identical. Sender generated.
	S009	Message identifier		M		
	0065	Message type	an..6	M	*	INVRPT Inventory report message
	0052	Message version number	an..3	M	*	D Draft version/ UN/EDIFACT Directory
	0054	Message release number	an..3	M	*	01B Release 2001 - B
	0051	Controlling agency	an..2	M	*	UN UN/CEFACT
	0057	Association assigned code	an..6	R	*	EAN005 GS1 version control number (GS1 Permanent Code)
<p>Segmentstatus: Mandatory This segment is used to head, identify and specify a message.</p> <p>Example: UNH+ME000001+INVRPT:D:01B:UN:EAN005 ' The reference number of the INVRPT message is ME000001.</p>						

Max. Occ. = Maximum Occurrence, St = Status, * = Restricted Codes
Status: M=Mandatory, R=Required, O=Optional, D=Dependent, A=Advised, N=Not used

Segment Layout

No. Seg	St	Max. Occ.				
4	BGM	M 1	Beginning of message To indicate the type and function of a message and to transmit the identifying number.			
Business Term	DE	EDIFACT	Format	St	*	Description
	C002	Document/message name		R		
	1001	Document name code	an..3	R	*	78 Inventory movement advice
	C106	Document/message identification		C		
Inventory report number	1004	Document identifier	an..35	R		
	1225	Message function code	an..3	R		9 Original
<p>Segmentstatus: Mandatory This segment is used to indicate the type and function of a message and to transmit the identifying number. In the sense of a best practice recommendation, DE 1225 should always be the original - original transmission of the inventory report (here: period-related). Example: BGM+78+INVR21599+9' The Document Number is INVR21599.</p>						

Max. Occ. = Maximum Occurrence, St = Status, * = Restricted Codes
 Status: M=Mandatory, R=Required, O=Optional, D=Dependent, A=Advised, N=Not used

Segment Layout

No.	Seg	St	Max.	Occ.			
5	DTM	R	1		Date/time/period To specify date, and/or time, or period.		
Business Term	DE	EDIFACT	Format	St	*	Description	
	C507	Date/time/period		M			
	2005	Date or time or period function code qualifier	an..3	M	*	137 Document/ message date/ time	
Creation date	2380	Date or time or period value	an..35	R			
	2379	Date or time or period format code	an..3	R		102 CCYYMMDD 203 CCYYMMDDHHMM	
<p>Segmentstatus: Mandatory Identification of the 'Document/message date/time' (code value 137) is mandatory in the invoice message.</p> <p>Example: <code>DTM+137:20160823:102'</code> The document date is the 23th of August 2016.</p> <p>Example: <code>DTM+137:201701100800:203'</code> The document date is the 23th of August 2016, 8 o'clock.</p>							

Max. Occ. = Maximum Occurrence, St = Status, * = Restricted Codes
 Status: M=Mandatory, R=Required, O=Optional, D=Dependent, A=Advised, N=Not used

Segment Layout

No.	Seg	St	Max.	Occ.			
6	DTM	R	10		Date/time/period To specify date, and/or time, or period.		
Business Term	DE	EDIFACT	Format	St	*	Description	
	C507	Date/time/period		M			
	2005	Date or time or period function code qualifier	an..3	M	*	366 Inventory report date	
Date of inventory report	2380	Date or time or period value	an..35	R			
	2379	Date or time or period format code	an..3	R		102 CCYYMMDD 203 CCYYMMDDHHMM	
Segmentstatus: Mandatory Date on which an inventory report is created. Example: DTM+366:20170321:102' Datum des Bestandsberichts ist der 21.03.2005. The inventory report date is the 21th of March 2017.							

Max. Occ. = Maximum Occurrence, St = Status, * = Restricted Codes
 Status: M=Mandatory, R=Required, O=Optional, D=Dependent, A=Advised, N=Not used

Segment Layout

No.	Seg	St	Max. Occ.			
7	SG2	R	1	NAD-SG3		
	NAD	M	1	Name and address		
To specify the name/address and their related function, either by C082 only and/or unstructured by C058 or structured by C080 thru 3207.						
Business Term	DE	EDIFACT	Format	St	*	Description
	3035	Party function code qualifier	an..3	M	*	SU Supplier
	C082	Party identification details		A		
Supplier identification	3039	Party identifier	an..35	M		Global Location Number (GLN) - Format n13
	1131	Code list identification code	an..17	N		
	3055	Code list responsible agency code	an..3	R	*	9 GS1
	C058	Name and address		O		This composite may only be used to fulfill the requirements of directive 2003/58/EG, article 4. If applicable the message sender gets the possibility to give the relevant statements at this place. If C058 ist not sufficient, more declaration can be given in following RFF+GN... segments.
	3124	Name and address description	an..35	M		
	3124	Name and address description	an..35	O		
	3124	Name and address description	an..35	O		
	3124	Name and address description	an..35	O		
	3124	Name and address description	an..35	O		
<p>Segmentstatus: Mandatory The supplier / client is identified by GLN. Following the INSDRES message, the qualifier "SU" = vendor is used.</p> <p>Example: NAD+SU+4399899175941::9+X:X:X:X:X' The supplier is identified by GLN 4399899175941.</p>						

Max. Occ. = Maximum Occurrence, St = Status, * = Restricted Codes
 Status: M=Mandatory, R=Required, O=Optional, D=Dependent, A=Advised, N=Not used

Segment Layout

No.	Seg	St	Max. Occ.				
8	SG2	R	1	NAD-SG3			
	SG3	D	1	RFF			
	RFF	M	1	Reference			
To specify a reference.							
Business Term		DE	EDIFACT	Format	St	*	Description
		C506	Reference		M		
		1153	Reference code qualifier	an..3	M	*	GN Government reference number
Statements on business letters		1154	Reference identifier	an..70	R		
<p>Segmentstatus: Depending This RFF segment may only be used if NAD has not enough space to fulfill the requirements of directive 2003/58/EG, article 4.</p> <p>Example: RFF+GN:HRB-471111' German Statements on business letters: HRB-471111.</p>							

Max. Occ. = Maximum Occurrence, St = Status, * = Restricted Codes
 Status: M=Mandatory, R=Required, O=Optional, D=Dependent, A=Advised, N=Not used

Segment Layout

No.	Seg	St	Max. Occ.			
9	SG2	R	1	NAD		
	NAD	M	1	Name and address		
To specify the name/address and their related function, either by C082 only and/or unstructured by C058 or structured by C080 thru 3207.						
Business Term	DE	EDIFACT	Format	St	*	Description
	3035	Party function code qualifier	an..3	M	*	MR Message recipient
	C082	Party identification details		A		
Identification of the recipient	3039	Party identifier	an..35	M		Global Location Number (GLN) - Format n13
	1131	Code list identification code	an..17	N		
	3055	Code list responsible agency code	an..3	R	*	9 GS1
<p>Segmentstatus: Mandatory</p> <p>The recipient of the report is identified by the GLN. The report recipient can be the same as the supplier.</p> <p>Example: NAD+MR+4012345500004:::9' The supplier is identified by GLN 4012345500004.</p>						

Max. Occ. = Maximum Occurrence, St = Status, * = Restricted Codes
 Status: M=Mandatory, R=Required, O=Optional, D=Dependent, A=Advised, N=Not used

Segment Layout

No. Seg	St	Max. Occ.				
10	SG2	R 1	NAD-SG3			
	NAD	M 1	Name and address			
To specify the name/address and their related function, either by C082 only and/or unstructured by C058 or structured by C080 thru 3207.						
Business Term	DE	EDIFACT	Format	St	*	Description
	3035	Party function code qualifier	an..3	M	*	LSP Logistic Service Provider (GS1 Temporary Code)
	C082	Party identification details		A		
Identification of the logistic service provider	3039	Party identifier	an..35	M		Global Location Number (GLN) - Format n13
	1131	Code list identification code	an..17	N		
	3055	Code list responsible agency code	an..3	R	*	9 GS1
	C058	Name and address		O		This composite may only be used to fulfill the requirements of directive 2003/58/EG, article 4. If applicable the message sender gets the possibility to give the relevant statements at this place. If C058 ist not sufficient, more declaration can be given in following RFF+GN... segments.
	3124	Name and address description	an..35	M		
	3124	Name and address description	an..35	O		
	3124	Name and address description	an..35	O		
	3124	Name and address description	an..35	O		
	3124	Name and address description	an..35	O		
<p>Segmentstatus: Mandatory The report owner is identified by GLN. In this scenario, the logistics service provider acts as a report owner.</p> <p>Example: NAD+LSP+4012345000092::9+X:X:X:X:X' The logistic service provider is identified by GLN 4012345000092.</p>						

Max. Occ. = Maximum Occurrence, St = Status, * = Restricted Codes
 Status: M=Mandatory, R=Required, O=Optional, D=Dependent, A=Advised, N=Not used

Segment Layout

No.	Seg	St	Max. Occ.				
11	SG2	R	1	NAD-SG3			
	SG3	D	1	RFF			
	RFF	M	1	Reference			
To specify a reference.							
Business Term		DE	EDIFACT	Format	St	*	Description
		C506	Reference		M		
		1153	Reference code qualifier	an..3	M	*	GN Government reference number
Statements on business letters		1154	Reference identifier	an..70	R		
<p>Segmentstatus: Depending This RFF segment may only be used if NAD has not enough space to fulfill the requirements of directive 2003/58/EG, article 4.</p> <p>Example: RFF+GN:HRB-471111' German Statements on business letters: HRB-471111.</p>							

Max. Occ. = Maximum Occurrence, St = Status, * = Restricted Codes
 Status: M=Mandatory, R=Required, O=Optional, D=Dependent, A=Advised, N=Not used

Segment Layout

No.	Seg	St	Max. Occ.			
12	SG2	R	1	NAD-SG3		
	NAD	M	1	Name and address		
To specify the name/address and their related function, either by C082 only and/or unstructured by C058 or structured by C080 thru 3207.						
Business Term	DE	EDIFACT	Format	St	*	Description
	3035	Party function code qualifier	an..3	M	*	SN Store number
	C082	Party identification details		A		
Identification of the warehouse	3039	Party identifier	an..35	M		Global Location Number (GLN) - Format n13
	1131	Code list identification code	an..17	N		
	3055	Code list responsible agency code	an..3	R	*	9 GS1
	C058	Name and address		O		This composite may only be used to fulfill the requirements of directive 2003/58/EG, article 4. If applicable the message sender gets the possibility to give the relevant statements at this place. If C058 ist not sufficient, more declaration can be given in following RFF+GN... segments.
	3124	Name and address description	an..35	N		
	3124	Name and address description	an..35	O		
	3124	Name and address description	an..35	O		
	3124	Name and address description	an..35	O		
	3124	Name and address description	an..35	O		
	C080	Party name		D		
Name of the warehouse 1	3036	Party name	an..35	M		
Name of the warehouse 2	3036	Party name	an..35	O		
	C059	Street		D		
Street and number of the warehouse	3042	Street and number or post office box identifier	an..35	M		
Place of the warehouse - name of a city (town, village) for adressing purposes.	3164	City name	an..35	D		
	C819	Country sub-entity details		D		
Identification of the name of	3229	Country sub-entity name code	an..9	O		

Max. Occ. = Maximum Occurrence, St = Status, * = Restricted Codes
 Status: M=Mandatory, R=Required, O=Optional, D=Dependent, A=Advised, N=Not used

Segment Layout

Business Term	DE	EDIFACT	Format	St	*	Description
sub-entities (state, province) defined by appropriate governmental agencies of the warehouse						
Postcode of the warehouse	3251	Postal identification code	an..17	D		
	3207	Country name code	an..3	D		DE GERMANY

Segmentstatus: Mandatory

The NAD segment is used to specify the name and address as well as function of a partner, either only by the data element group C082 or structured by the data element group C080 to 3207.

DE 3039: The use of the global location number (GLN) is recommended for the identification of the partners. If the GLN is used, it is sufficient.

In the case of warehouses or areas which do not (yet) have a GLN, the address is indicated as plain text. In this case, the DE group C082 remains empty.

Example: NAD+SN+4312345001205::9+:X:X:X:X+Lager1: Lager2+Maarweg 23+Köln++50835+DE'

Das Lager hat die GLN 4312345001205.

The warehouse is identified by GLN 4312345001205.

Max. Occ. = Maximum Occurrence, St = Status, * = Restricted Codes

Status: M=Mandatory, R=Required, O=Optional, D=Dependent, A=Advised, N=Not used

Segment Layout

No.	Seg	St	Max. Occ.				
13	SG2	R	1	NAD-SG3			
	SG3	D	1	RFF			
	RFF	M	1	Reference			
To specify a reference.							
Business Term		DE	EDIFACT	Format	St	*	Description
		C506	Reference		M		
		1153	Reference code qualifier	an..3	M	*	GN Government reference number
Statements on business letters		1154	Reference identifier	an..70	R		
<p>Segmentstatus: Depending This RFF segment may only be used if NAD has not enough space to fulfill the requirements of directive 2003/58/EG, article 4.</p> <p>Example: RFF+GN:HRB-471111' German Statements on business letters: HRB-471111.</p>							

Max. Occ. = Maximum Occurrence, St = Status, * = Restricted Codes
 Status: M=Mandatory, R=Required, O=Optional, D=Dependent, A=Advised, N=Not used

Segment Layout

No.	Seg	St	Max.	Occ.		
14	SG9 LIN	O	9999999		LIN-PIA-SG11 Line item To identify a line item and configuration.	
Business Term	DE	EDIFACT	Format	St	*	Description
Line item number	1082	Line item identifier	an..6	R		Continuous line item number
	1229	Action request/ notification description code	an..3	N		
	C212	Item number identification		D		
GTIN	7140	Item identifier	an..35	R		GTIN, Format n..14
	7143	Item type identification code	an..3	R	*	SRV GS1 Global Trade Item Number
<p>Segmentstatus: Mandatory This segment is used to identify a specific item in an inventory report. Example: <code>LIN+1+++5412345111115:SRV'</code> The product has the GTIN 5412345111115.</p>						

Max. Occ. = Maximum Occurrence, St = Status, * = Restricted Codes
 Status: M=Mandatory, R=Required, O=Optional, D=Dependent, A=Advised, N=Not used

Segment Layout

No.	Seg	St	Max.	Occ.		
15	SG9	O	9999999	LIN-PIA-SG11		
	PIA	O	1	Additional product id		
To specify additional or substitutional item identification codes.						
Business Term	DE	EDIFACT	Format	St	*	Description
	4347	Product identifier code qualifier	an..3	M	*	1 Additional identification
	C212	Item number identification		M		
Supplier's article number	7140	Item identifier	an..35	R		
	7143	Item type identification code	an..3	R	*	SA Supplier's article number
	1131	Code list identification code	an..17	N		
	3055	Code list responsible agency code	an..3	R	*	91 Assigned by supplier or supplier's agent
Segmentstatus: Optional This segment is used to specify the article number of the supplier. Example: PIA+1+435DGF5353:SA::91' The article number of the supplier is 435DGF5353.						

Max. Occ. = Maximum Occurrence, St = Status, * = Restricted Codes
 Status: M=Mandatory, R=Required, O=Optional, D=Dependent, A=Advised, N=Not used

Segment Layout

No.	Seg	St	Max.	Occ.			
16	SG9	O	9999999		LIN-PIA-SG11		
	PIA	O	1		Additional product id To specify additional or substitutional item identification codes.		
Business Term		DE	EDIFACT	Format	St	*	Description
		4347	Product identifier code qualifier	an..3	M	*	1 Additional identification
		C212	Item number identification		M		
	Promotional product	7140	Item identifier	an..35	R		
		7143	Item type identification code	an..3	R	*	PV Promotional variant number
		1131	Code list identification code	an..17	N		
		3055	Code list responsible agency code	an..3	O	*	9 GS1
<p>Segmentstatus: Optional This segment is used to specify the promotional product.</p> <p>Example: PIA+1+4056786542381:PV::9' The promotional product has the GTIN 4056786542381.</p>							

Max. Occ. = Maximum Occurrence, St = Status, * = Restricted Codes
Status: M=Mandatory, R=Required, O=Optional, D=Dependent, A=Advised, N=Not used

Segment Layout

No.	Seg	St	Max. Occ.			
17	SG9	O	9999999	LIN-PIA-SG11		
	PIA	O	1	Additional product id To specify additional or substitutional item identification codes.		
Business Term	DE	EDIFACT	Format	St	*	Description
	4347	Product identifier code qualifier	an..3	M	*	1 Additional identification
	C212	Item number identification		M		
Batch number	7140	Item identifier	an..35	R		
	7143	Item type identification code	an..3	R	*	NB Batch number
Segmentstatus: Optional This segment is used for additional identifications, here: Batch number Example: PIA+1+4381:NB' The batch number is 4381.						

Max. Occ. = Maximum Occurrence, St = Status, * = Restricted Codes
 Status: M=Mandatory, R=Required, O=Optional, D=Dependent, A=Advised, N=Not used

Segment Layout

No.	Seg	St	Max.	Occ.				
18	SG9	O	9999999		LIN-PIA-SG11			
	SG11	C	9999		INV-QTY-LOC-DTM-STS-SG15			
	INV	M	1		Inventory management related details To provide the different information related to the inventory management functions and needed to process properly the inventory movements and the inventory balances.			
Business Term		DE	EDIFACT		Format	St	*	Description
Inventory movement direction		4501	Inventory movement direction code		an..3	D	*	1 Movement out of inventory 2 Movement into inventory
<p>Segmentstatus: Mandatory This segment serves to identify the direction of the stock movement.</p> <p>Example: INV+1 ' Angabe von Bestandsbewegungen. Indication of the stock movements, here movement out of inventory.</p>								

Max. Occ. = Maximum Occurrence, St = Status, * = Restricted Codes
Status: M=Mandatory, R=Required, O=Optional, D=Dependent, A=Advised, N=Not used

Segment Layout

No.	Seg	St	Max.	Occ.		
19	SG9	O	9999999		LIN-PIA-SG11	
	SG11	C	9999		INV-QTY-LOC-DTM-STS-SG15	
	QTY	M	1		Quantity To specify a pertinent quantity.	
Business Term	DE	EDIFACT	Format	St	*	Description
	C186	Quantity details		M		
	6063	Quantity type code qualifier	an..3	M	*	156 Inventory movement quantity
Stock movement amount	6060	Quantity	an..35	M		
	6411	Measurement unit code	an..3	D		KGM kilogram
Segmentstatus: Mandatory						
Example: QTY+156:12'						
Der aktuelle Lagerbestand ist 12 Stück.						
The stock movement amount is 12.						

Max. Occ. = Maximum Occurrence, St = Status, * = Restricted Codes
 Status: M=Mandatory, R=Required, O=Optional, D=Dependent, A=Advised, N=Not used

Segment Layout

No. Seg	St	Max. Occ.				
20	SG9	O	9999999	LIN-PIA-SG11		
	SG11	C	9999	INV-QTY-LOC-DTM-STS-SG15		
	LOC	O	1	Place/location identification To identify a place or a location and/or related locations.		
Business Term	DE	EDIFACT	Format	St	*	Description
	3227	Location function code qualifier	an..3	M	*	14 Location of goods
	C517	Location identification		A		
Location of goods	3225	Location name code	an..25	A		Global Location Number (GLN)- Format n13
	1131	Code list identification code	an..17	O		
	3055	Code list responsible agency code	an..3	D	*	9 GS1
	C519	Related location one identification		O		
Identification of the logistic area	3223	First related location name code	an..25	O		
<p>Segmentstatus: Optional This segment is used to identify a logical area within a warehouse (eg breakage storage, quarantine, ...), based on the quantity specified in the QTY segment. When identifying locations it is recommended to use Global Location Number GLN.</p> <p>Example: LOC+14+::9+ABCDEF The goods are in the logistic area ABCDEF.</p>						

Max. Occ. = Maximum Occurrence, St = Status, * = Restricted Codes
 Status: M=Mandatory, R=Required, O=Optional, D=Dependent, A=Advised, N=Not used

Segment Layout

No.	Seg	St	Max.	Occ.			
21	SG9	O	9999999		LIN-PIA-SG11		
	SG11	C	9999		INV-QTY-LOC-DTM-STS-SG15		
	DTM	O	1		Date/time/period To specify date, and/or time, or period.		
Business Term		DE	EDIFACT	Format	St	*	Description
		C507	Date/time/period		M		
		2005	Date or time or period function code qualifier	an..3	M	*	361 Best before date
	Best before date	2380	Date or time or period value	an..35	R		
		2379	Date or time or period format code	an..3	R		102 CCYYMMDD 203 CCYYMMDDHHMM
<p>Segmentstatus: Optional This segment can be used to provide the best before date. Example: DTM+361:20160612:102' The best before date is 12th of June 2016.</p>							

Max. Occ. = Maximum Occurrence, St = Status, * = Restricted Codes
 Status: M=Mandatory, R=Required, O=Optional, D=Dependent, A=Advised, N=Not used

Segment Layout

No.	Seg	St	Max.	Occ.		
22	SG9	O	9999999		LIN-PIA-SG11	
	SG11	C	9999		INV-QTY-LOC-DTM-STS-SG15	
	STS	R	1		Status	
To specify the status of an object or service, including its category and the reason(s) for the status.						
Business Term		DE	EDIFACT	Format	St	* Description
		C601	Status category		O	
Status type		9015	Status category code	an..3	M	UP6 Status Old
		1131	Code list identification code	an..17	N	
		3055	Code list responsible agency code	an..3	D *	246 GS1 Germany
		C555	Status		O	
Status information		4405	Status description code	an..3	M	3 Arrival, in defective condition
		1131	Code list identification code	an..17	N	
		3055	Code list responsible agency code	an..3	D *	9 GS1
<p>Segmentstatus: Mandatory This segment is used to provide status information related to the current line.</p> <p>Example: STS+UP6::246+3::9' The status old is "Arrival, in defective condiditon".</p>						

Max. Occ. = Maximum Occurrence, St = Status, * = Restricted Codes
 Status: M=Mandatory, R=Required, O=Optional, D=Dependent, A=Advised, N=Not used

Segment Layout

No.	Seg	St	Max.	Occ.		
23	SG9	O	9999999		LIN-PIA-SG11	
	SG11	C	9999		INV-QTY-LOC-DTM-STS-SG15	
	STS	R	1		Status	
To specify the status of an object or service, including its category and the reason(s) for the status.						
Business Term		DE	EDIFACT	Format	St	* Description
		C601	Status category		O	
Status type		9015	Status category code	an..3	M	UP7 Status New
		1131	Code list identification code	an..17	N	
		3055	Code list responsible agency code	an..3	D *	246 GS1 Germany
		C555	Status		O	
Status information		4405	Status description code	an..3	M	63 Not accepted
		1131	Code list identification code	an..17	N	
		3055	Code list responsible agency code	an..3	D *	9 GS1
<p>Segmentstatus: Mandatory This segment is used to provide status information related to the current line.</p> <p>Example: STS+UP7::246+63::9' The status new is "Not accepted".</p>						

Max. Occ. = Maximum Occurrence, St = Status, * = Restricted Codes
 Status: M=Mandatory, R=Required, O=Optional, D=Dependent, A=Advised, N=Not used

Segment Layout

No.	Seg	St	Max. Occ.				
24	SG9	O	9999999	LIN-PIA-SG11			
	SG11	C	9999	INV-QTY-LOC-DTM-STS-SG15			
	SG15	O	9999	CPS-SG16			
	CPS	M	1	Consignment packing sequence			
To identify the sequence in which physical packing is presented in the consignment, and optionally to identify the hierarchical relationship between packing layers.							
Business Term		DE	EDIFACT	Format	St	*	Description
Hierarchical identification number		7164	Hierarchical structure level identifier	an..35	M		
<p>Segmentstatus: Optional This segment is used for a detailed description of packaging of the goods in the stock. DE 7164: Since no different packaging hierarchies are identified in the inventory report, the default value 1 is recommended.</p> <p>Example: CPS+1' The only level of the hierarchy of consignments.</p>							

Max. Occ. = Maximum Occurrence, St = Status, * = Restricted Codes
 Status: M=Mandatory, R=Required, O=Optional, D=Dependent, A=Advised, N=Not used

Segment Layout

No. Seg	St	Max. Occ.				
SG9	O	9999999	LIN-PIA-SG11			
SG11	C	9999	INV-QTY-LOC-DTM-STS-SG15			
SG15	O	9999	CPS-SG16			
SG16	O	1	PAC-SG17			
25 PAC	M	1	Package			
To describe the number and type of packages/physical units.						
Business Term	DE	EDIFACT	Format	St	*	Description
Number of packages	7224	Package quantity	n..8	O		
	C531	Packaging details		N		
	7075	Packaging level code	an..3			
	C202	Package type		O		
	7065	Package type description code	an..17	A		CT Carton
	1131	Code list identification code	an..17	O		
	3055	Code list responsible agency code	an..3	D	*	9 GS1 Code value 9 is only used if DE 7065 contains a GS1 code.
<p>Segmentstatus: Optional This segment can be used to indicate the package type for the current position.</p> <p>Example: PAC+4++CT::9' Four cartons.</p>						

Max. Occ. = Maximum Occurrence, St = Status, * = Restricted Codes
 Status: M=Mandatory, R=Required, O=Optional, D=Dependent, A=Advised, N=Not used

Segment Layout

No. Seg	St	Max. Occ.				
SG9	O	9999999	LIN-PIA-SG11			
SG11	C	9999	INV-QTY-LOC-DTM-STS-SG15			
SG15	O	9999	CPS-SG16			
SG16	O	1	PAC-SG17			
SG17	O	9999	PCI-GIN			
26	PCI	M 1	Package identification To specify markings and labels on individual packages or physical units.			
Business Term	DE	EDIFACT	Format	St	*	Description
Marking with SSCC	4233	Marking instructions code	an..3	R	*	33E Marked with serial shipping container code (GS1 Temporary Code)
<p>Segmentstatus: Optional In this segment, information about the markings and labels applied to the packaging of the current position is made.</p> <p>Example: PCI+33E' The carton is equipped with SSCC.</p>						

Max. Occ. = Maximum Occurrence, St = Status, * = Restricted Codes
 Status: M=Mandatory, R=Required, O=Optional, D=Dependent, A=Advised, N=Not used

Segment Layout

No.	Seg	St	Max.	Occ.	
	SG9	O	9999999		LIN-PIA-SG11
	SG11	C	9999		INV-QTY-LOC-DTM-STS-SG15
	SG15	O	9999		CPS-SG16
	SG16	O	1		PAC-SG17
	SG17	O	9999		PCI-GIN
27	GIN	C	9999		Goods identity number
To give specific identification numbers, either as single numbers or ranges.					
Business Term	DE	EDIFACT	Format	St	* Description
	7405	Object identification code qualifier	an..3	M	* BJ Serial shipping container code
	C208	Identity number range		M	
Serial Shipping Container Code (SSCC)	7402	Object identifier	an..35	M	
<p>Segmentstatus: Optional This segment provides the SSCC to uniquely indentify. The SSCC is only used if no article information is available.</p> <p>Example: GIN+BJ+340123450000000014' The SSCC is 340123450000000014.</p>					

Max. Occ. = Maximum Occurrence, St = Status, * = Restricted Codes
 Status: M=Mandatory, R=Required, O=Optional, D=Dependent, A=Advised, N=Not used

Segment Layout

No. Seg	St	Max. Occ.				
28	UNT	M 1	Message trailer To end and check the completeness of a message.			
Business Term	DE	EDIFACT	Format	St	*	Description
Total number of segments	0074	Number of segments in the message	n..6	M		
	0062	Message reference number	an..14	M		The reference number from the UNH segment must be repeated here.
<p>Segmentstatus: Mandatory This UNT segment is a mandatory UN/EDIFACT segment. It must always be the last segment in the message.</p> <p>Example: UNT+26+ME000001' The message contains 26 segments.</p>						

Max. Occ. = Maximum Occurrence, St = Status, * = Restricted Codes
 Status: M=Mandatory, R=Required, O=Optional, D=Dependent, A=Advised, N=Not used

Segment Layout

No. Seg	St	Max. Occ.				
29	UNZ	M 1	Interchange trailer To end and check the completeness of an interchange.			
Business Term	DE	EDIFACT	Format	St	*	Description
End of the transmission file Number of messages or message groups	0036	Interchange control count	n..6	M		Number of messages or message groups in the transmission file.
Interchange control reference, end	0020	Interchange control reference	an..14	M		Interchange control reference, identical with UNB DE 0020.
<p>Segmentstatus: Mandatory The UNZ segment is the last segment of the transmission file. Note DE 0036: If functional groups are not used, this is the number of messages within the interchange.</p> <p>Example: UNZ+1+4711' The transmission file contains 1 message.</p>						

Max. Occ. = Maximum Occurrence, St = Status, * = Restricted Codes
 Status: M=Mandatory, R=Required, O=Optional, D=Dependent, A=Advised, N=Not used

Used Codes

0001	Syntax identifier Coded identification of the agency controlling a syntax and syntax level used in an interchange. Notes: 1. a3, upper case, Controlling Agency (e.g. UNO=UN/ECE) and a1 stating level (e.g. A) (which together give UNOA).
UNOA	UN/ECE level A As defined in the basic code table of ISO 646 with the exceptions of lower case letters, alternative graphic character allocations and national or application-oriented graphic character allocations.
UNOB	UN/ECE level B As defined in the basic code table of ISO 646 with the exceptions of alternative graphic character allocations and national or application-oriented graphic character allocations.
UNOC	UN/ECE level C As defined in ISO 8859-1 : Information processing - Part 1: Latin alphabet No. 1.
UNOD	UN/ECE level D As defined in ISO 8859-2 : Information processing - Part 2: Latin alphabet No. 2.
UNOE	UN/ECE level E As defined in ISO 8859-5 : Information processing - Part 5: Latin/Cyrillic alphabet.
UNOF	UN/ECE level F As defined in ISO 8859-7 : Information processing - Part 7: Latin/Greek alphabet.
UNOG	UN/ECE level G As defined in ISO 8859-3 : Information processing - Part 3: Latin alphabet.
UNOH	UN/ECE level H As defined in ISO 8859-4 : Information processing - Part 4: Latin alphabet.
UNOI	UN/ECE level I As defined in ISO 8859-6 : Information processing - Part 6: Latin/Arabic alphabet.
UNOJ	UN/ECE level J As defined in ISO 8859-8 : Information processing - Part 8: Latin/Hebrew alphabet.
UNOK	UN/ECE level K As defined in ISO 8859-9 : Information processing - Part 9: Latin alphabet.

Used Codes

UNOW	UN/ECE level W ISO 10646-1 octet with code extension technique to support UTF-8 (UCS Transformation Format, 8 bit) encoding.
UNOX	UN/ECE level X Code extension technique as defined by ISO 2022 utilising the escape techniques in accordance with ISO 2375.
UNOY	UN/ECE level Y ISO 10646-1 octet without code extension technique.
0002	Syntax version number Version number of the syntax identified in the syntax identifier (0001) Notes: 1. Increments 1 for each version.
3	Version 3 ISO 9735 Amendment 1:1992. GS1 Description: Syntax version number 3. This code can be used with all of the character sets (A, B, C, D, E and F).
0007	Partner identification code qualifier Qualifier referring to the source of codes for the identifiers of interchanging partners. Notes: 1. Used with sender/recipient identification code.
14	GS1 Partner identification code assigned by GS1, an international organization of GS1 Member Organizations that manages the GS1 System.
0025	Recipient's reference/password qualifier Qualifier for the recipient's reference or password. Notes: 1. If specified in IA.
AA	Reference Recipient's reference/password is a reference.
BB	Password Recipient's reference/password is a password.

Used Codes

0029	<p>Processing priority code</p> <p>Code determined by the sender requesting processing priority for the interchange.</p> <p>Notes:</p> <p>1. Used if specified in IA.</p>
A	<p>Highest priority</p> <p>Requested processing priority is the highest.</p>
0031	<p>Acknowledgement request</p> <p>Code determined by the sender for acknowledgement of the interchange.</p> <p>Notes:</p> <p>1. Set = 1 if sender requests acknowledgement, i.e. UNB and UNZ segments received and identified.</p>
1	<p>Requested</p> <p>Acknowledgement is requested.</p>
0035	<p>Test indicator</p> <p>Indication that the interchange is a test.</p> <p>Notes:</p> <p>1. Set = 1 if the interchange is a test. Otherwise not used.</p>
1	<p>Interchange is a test</p> <p>Indicates that the interchange is a test.</p>
0051	<p>Controlling agency</p> <p>Code to identify the agency controlling the specification, maintenance and publication of the message type.</p>
UN	<p>UN/CEFACT</p> <p>United Nations Centre for Trade Facilitation and Electronic Business (UN/CEFACT).</p> <p>GS1 Description:</p> <p>UN Economic Commission for Europe (UN/ECE), Committee on the development of trade (TRADE), Working Party on facilitation of international trade procedures (WP.4).</p>
0052	<p>Message version number</p> <p>Version number of a message type.</p> <p>Notes:</p> <p>1. If UNG/UNE is used, shall be identical in UNG and UNE.</p> <p>The representation of 0052 was specified as n..3 in version 1 of ISO 9735.</p>

Used Codes

D	Draft version/UN/EDIFACT Directory Message approved and issued as a draft message (Valid for directories published after March 1993 and prior to March 1997). Message approved as a standard message (Valid for directories published after March 1997).
0054	Message release number Release number within the current message type version number (0052). Notes: 1. The representation of 0054 was specified as n..3 in version 1 of ISO 9735.
01B	Release 2001 - B Message approved and issued in the second 2001 release of the UNTDID (United Nations Trade Data Interchange Directory).
0057	Association assigned code A code assigned by the association responsible for the design and maintenance of the message type concerned, which further identifies the message.
EAN005	GS1 version control number (GS1 Permanent Code)
0065	Message type Code identifying a type of message and assigned by its controlling agency. Notes: 1. Type of message being transmitted.
APERAK	Application error and acknowledgement message A code to identify the application error and acknowledgement message. GS1 Description: The function of this message is: a) to inform a message issuer that his message has been received by the addressee's application and has been rejected due to errors encountered during its processing in the application. b) to acknowledge to a message issuer the receipt of his message by the addressee's application.
AUTACK	Secure authentication and acknowledgement message A code to identify the secure authentication and acknowledgement message.
BANSTA	Banking status message A code to identify the banking status message. GS1 Description: Message sent by the receiver of a previously sent-message to report on the status of processing of this original message. It indicates, at the application level, the acceptance or rejection of the message or the ability for the receiver of the message to execute or not the instructions received.

Used Codes

CNTCND	<p>Contractual conditions message</p> <p>A code to identify the contractual conditions message.</p> <p>GS1 Description: Message sent by a buyer to its supplier or by the supplier to the buyer, providing the contractual conditions of a previously negotiated contract in order to enable the automatic validation of orders and in the verification of invoices prior to payment.</p>
COACSU	<p>Commercial account summary message</p> <p>A code to identify the commercial account summary message.</p> <p>GS1 Description: A commercial account summary message enables the transmission of commercial data concerning payments made and outstanding items on an account over a period of time. The message may be sent at specific agreed fixed intervals or on demand, and may be sent to and, or, from trading parties, and, or their authorised agents.</p>
COMDIS	<p>Commercial dispute message</p> <p>A code to identify the commercial dispute message.</p> <p>GS1 Description: Message providing notice of commercial dispute against one or more invoices is usually raised by the buyer to notify the seller that something was found wrong with the goods delivered or the services rendered (goods damaged, delivery incomplete, delivery late, etc.). The dispute must be resolved before the related invoice can be settled. The message will be used to: - notify a dispute; - correspond about an existing dispute (structured information); - notify the settlement of a dispute. The message will serve at the same time as the dispute notice and as the dispute answer.</p>
CONDRA	<p>Drawing administration message</p> <p>A code to identify the drawing administration message.</p> <p>GS1 Description: The message will be used for the administration of each exchange of a set of engineering/CAD files. It will give additional information about the files; for example, their nature, a list of their contents and technical information necessary to interpret them. The whole process of exchanging engineering or CAD (Computer Aided Design) files between different parties within one project will be supported by EDIFACT messages. The message CONDRA is one of these messages.</p>
CONTRL	<p>Syntax and service report message</p> <p>A code to identify the syntax and service report message.</p> <p>GS1 Description: Message syntactically acknowledging or rejecting, with error indication, a received interchange, functional group or message.</p>
CREMUL	<p>Multiple credit advice message</p> <p>A code to identify the multiple credit advice message.</p> <p>GS1 Description: A Multiple Credit Advice message is sent by an Account Servicing Financial Institution to the Account Owner or to a third party, which has agreed bilaterally in advance, that its account(s) has been or will be credited for specified amount(s) on the date(s) indicated, in settlement of the referenced business transaction(s).</p>

Used Codes

DEBMUL	<p>Multiple debit advice message</p> <p>A code to identify the multiple debit advice message.</p> <p>GS1 Description: A Multiple Debit Advice message is sent by an Account Servicing Financial Institution to the Account Owner or to a third party, which has agreed bilaterally in advance, that its account(s) has been or will be debited for specified amount(s) on the date(s) indicated, in settlement of the referenced business transaction(s).</p>
DELFOR	<p>Delivery schedule message</p> <p>A code to identify the delivery schedule message.</p> <p>GS1 Description: Message from buyer to supplier giving product requirements regarding details for short term delivery instructions and/or medium to long term product/service forecast for planning purposes according to conditions set out in a contract or order. The message can be used to authorize the commitment of labour and materials resources.</p>
DESADV	<p>Despatch advice message</p> <p>A code to identify the despatch advice message.</p> <p>GS1 Description: A message specifying details for goods despatched or ready for despatch under agreed conditions. The United Nations Despatch Advice Message serves both as a specification for Delivery Despatch Advice and also as a Returns Despatch Advice message.</p>
DIRDEB	<p>Direct debit message</p> <p>A code to identify the direct debit message.</p> <p>GS1 Description: Message sent by the creditor to the creditor's bank instructing it to claim specified amounts from the debtor(s) and to credit these amounts to a single account it services for the creditor in settlement of the referenced transaction(s).</p>
FINCAN	<p>Financial cancellation message</p> <p>A code to identify the financial cancellation message.</p> <p>GS1 Description: A Financial Cancellation Message is sent by the Ordering Customer (or Payor or Agent on behalf of the Ordering Customer) or by a third party having authority on the Ordering Customer's payments to the Ordered Bank to request cancellation of a given financial message or transaction.</p>
FINSTA	<p>Financial statement of an account message</p> <p>A code to identify the financial statement of an account message.</p> <p>GS1 Description: This message can be used to cater for various communication functions between financial institutions and their customers. The most frequent function is to provide a statement of booked items confirming entries on a customer's account. The message type may contain several accounts (quoted in the B-level).</p>

Used Codes

GENERAL	<p>General purpose message</p> <p>A code to identify the general purpose message.</p> <p>GS1 Description: A message to enable the transmission of textual information.</p>
HANMOV	<p>Cargo/goods handling and movement message</p> <p>A code to identify the cargo/goods handling and movement message.</p> <p>GS1 Description: Message from a party to a warehouse/distribution centre identifying the handling services and where required the movement of specified goods, limited to warehouses within the jurisdiction of the distribution centre.</p>
IFCSUM	<p>Forwarding and consolidation summary message</p> <p>A code to identify the forwarding and consolidation summary message.</p> <p>GS1 Description: Message used for consolidation purposes from a party arranging forwarding and transport services to the party for which the transport of the consolidated cargo is destined. The message can be used to exchange information concerning the consolidated cargo between forwarders, carriers and agents enabling those parties to handle the consignments included in the consolidation. In addition it can be used for a collection of consignments originating from one shipper for forwarding and transport services.</p>
IFTMAN	<p>Arrival notice message</p> <p>A code to identify the arrival notice message.</p> <p>GS1 Description: Message from the party providing forwarding and/or transport services to the party such as has been indicated in the contract, giving notice and details of the arrival of the consignment.</p>
IFTMBC	<p>Booking confirmation message</p> <p>A code to identify the booking confirmation message.</p> <p>GS1 Description: Message from the party providing forwarding and/or transport services to the party booking those services giving the confirmation information to the booking of the consignment concerned. A confirmation might read that the booking of a consignment is accepted, pending, conditionally accepted or rejected. The conditions under which requested services take place may be given in this message.</p>
IFTMBF	<p>Firm booking message</p> <p>A code to identify the firm booking message.</p> <p>GS1 Description: Message from a party definitely booking forwarding and/or transport services for a consignment to the party providing those services. The message will contain the conditions under which the sender of the messages requires the services to take place.</p>
IFTMIN	<p>Instruction message</p> <p>A code to identify the instruction message.</p> <p>GS1 Description: Message from the party issuing an instruction regarding forwarding/transport services for a consignment under conditions agreed, to the party arranging the forwarding and/or transport services.</p>

Used Codes

IFTSTA	<p>International multimodal status report message</p> <p>A code to identify the international multimodal status report message.</p> <p>GS1 Description: Message to report the transport status and/or a change in the transport status (i.e. event) between agreed parties.</p>
INSDDES	<p>Instruction to despatch message</p> <p>A code to identify the instruction to despatch message.</p> <p>GS1 Description: A message instructing a third party to despatch a delivery.</p>
INVOIC	<p>Invoice message</p> <p>A code to identify the invoice message.</p> <p>GS1 Description: Message claiming payment for goods or services supplied under conditions agreed between the seller and the buyer. The UNSM invoice message, with correct data qualification, serves also as the specification for debit note and credit note messages.</p>
INVRPT	<p>Inventory report message</p> <p>A code to identify the inventory report message.</p> <p>GS1 Description: Message specifying information relating to held inventories. The inventory report message is intended to be used in either direction between trading partners.</p>
KEYMAN	<p>Security key and certificate management message</p> <p>A code to identify the security key and certificate management message.</p>
MSCONS	<p>Metered services consumption report message</p> <p>A code to identify the metered services consumption report message.</p> <p>GS1 Description: A metered services consumption report is a communication between trading parties, or their agents, providing consumption and where required associated technical information at a location(s) for a product(s) or service(s) where the supply is recorded using a meter(s).</p>
ORDCHG	<p>Purchase order change request message</p> <p>A code to identify the purchase order change request message.</p> <p>GS1 Description: Message from the buyer to the seller, specifying details of the buyer's request to change a purchase order.</p>
ORDERS	<p>Purchase order message</p> <p>A code to identify the purchase order message.</p> <p>GS1 Description: Message specifying details for goods or services ordered under conditions agreed between the seller and the buyer.</p>
ORDRSP	<p>Purchase order response message</p> <p>A code to identify the purchase order response message.</p> <p>GS1 Description: Message from the seller to the buyer, responding to a purchase order message or a purchase order change request message.</p>

Used Codes

OSTENQ	<p>Order status enquiry message</p> <p>A code to identify the order status enquiry message.</p> <p>GS1 Description: A message from a buyer or buyer's agent which requests a supplier or supplier's agent for information on the current status of a previously sent outstanding order(s).</p>
OSTRPT	<p>Order status report message</p> <p>A code to identify the order status report message.</p> <p>GS1 Description: A message by means of which a seller or seller's agent reports status information on an order. This may be a reply to an order status enquiry sent by a buyer or buyer's agent or a report as agreed between trading parties.</p>
PARTIN	<p>Party information message</p> <p>A code to identify the party information message.</p> <p>GS1 Description: Message to enable the transmission of basic information regarding locations and the related operational, administrative, financial, manufacturing and trading data.</p>
PAYDUC	<p>Payroll deductions advice message</p> <p>A code to identify the payroll deductions advice message.</p> <p>Notes:</p> <ol style="list-style-type: none"> 1. The versions of this message which appear in message directories up to and including the D.99B directory are for use with Version 3 or 4 of the ISO 9735 syntax. Versions of the message which appear in the D.00A and later directories shall be used only with Version 4 of the ISO 9735 syntax. 2. This code value is retained in the Version 3 service code list for information purposes only. <p>GS1 Description: Message sent by a party to a service providing organisation, to detail payments by payroll deductions, on behalf of employees, made to the service providing organisation.</p>
PAYMUL	<p>Multiple payment order message</p> <p>A code to identify the multiple payment order message.</p> <p>GS1 Description: Message sent by the ordering customer (or payor or agent on behalf of the ordering customer) to the ordered bank, to instruct the ordered bank to debit an account it services for the ordering customer, and to arrange for the payment of specified amounts to several beneficiaries (or payees) in settlement of the referenced business transaction(s).</p>
PRICAT	<p>Price/sales catalogue message</p> <p>A code to identify the price/sales catalogue message.</p> <p>GS1 Description: Message to enable the transmission of information regarding pricing and catalogue details for goods and services offered by a seller to a buyer.</p>

Used Codes

PRODAT	<p>Product data message</p> <p>A code to identify the product data message.</p> <p>GS1 Description: A product data message is a communication between parties containing master data, to identify and describe products available for supply or for information purposes. This information of long validity does not include commercial terms and conditions but technical and functional product descriptions.</p>
PROINQ	<p>Product inquiry message</p> <p>A code to identify the product inquiry message.</p> <p>GS1 Description: A message enabling the sender to inquire on a product or group of products from a master product catalogue or file according to criteria defined in the message.</p>
QUALITY	<p>Quality data message</p> <p>A code to identify the quality data message.</p> <p>GS1 Description: Message to enable the transmission of the results of tests performed to satisfy a specified product or process requirement. The content includes, but it is not limited to, test data and measurements, statistical information, and the testing methods employed.</p>
QUOTES	<p>Quote message</p> <p>A code to identify the quote message.</p> <p>GS1 Description: Message which provides potential sellers with the ability to provide price, delivery schedule, and other conditions for potential sales of goods or services.</p>
RECADV	<p>Receiving advice message</p> <p>A code to identify the receiving advice message.</p> <p>GS1 Description: This message is to address the business needs related to the goods receipt. This message is used to report the physical receipt of goods. The message allows for the reporting of discrepancies in products, quantities, terms, packages, etc.</p>
REMADV	<p>Remittance advice message</p> <p>A code to identify the remittance advice message.</p> <p>GS1 Description: Message which provides a detailed accounting relative to a payment, or other form of financial settlement, on a specified date for the provision of goods and/or services as detailed in the advice.</p>
REQOTE	<p>Request for quote message</p> <p>A code to identify the request for quote message.</p> <p>GS1 Description: Message which provides potential buyers with the ability to solicit price, delivery schedule, and other conditions from potential sellers of goods or services.</p>

Used Codes

RETANN	<p>Announcement for returns message</p> <p>A code to identify the announcement for returns message.</p> <p>GS1 Description: Message announcing returns.</p>
RETINS	<p>Instruction for returns message</p> <p>A code to identify the instruction for returns message.</p> <p>GS1 Description: Message instructing on returns.</p>
SLSFCT	<p>Sales forecast message</p> <p>A code to identify the sales forecast message.</p> <p>GS1 Description: Message to enable the transmission of forecast data related to products or services, such as corresponding location, period, product identification, pricing, monetary amount, quantity, market sector information, sales parties. It enables the recipient to process the information automatically and use it for production, planning, marketing, statistical purposes, etc.</p>
SLSRPT	<p>Sales data report message</p> <p>A code to identify the sales data report message.</p> <p>GS1 Description: Message to enable the transmission of sales data related to products or services, such as corresponding location, period, product identification, pricing, monetary amount, quantity, market sector information, sales parties. It enables the recipient to process the information automatically and use it for production, planning, marketing, statistical purposes, etc.</p>
TAXCON	<p>Tax control message</p> <p>A code to identify the tax control message.</p> <p>GS1 Description: A message to enable the transmission of information related to the tax details of an invoice, or a batch/batches of invoice messages.</p>
1001	<p>Document name code</p> <p>Code specifying the document name.</p>
78	<p>Inventory movement advice</p> <p>Advice of inventory movements.</p>
1131	<p>Code list identification code</p> <p>Code identifying a user or association maintained code list.</p> <p>Notes: 1. The codes for this data element are provided by the code list responsible agency defined in data element 3055.</p>

Used Codes

23	<p>Clearing house automated payment Self explanatory.</p> <p>Notes: This code value will be removed effective with directory D.04A. GS1 Description: Banking community' automated payment clearing system.</p>
25	<p>Bank identification Code for identification of banks.</p> <p>Notes: This code value will be removed effective with directory D.04A.</p>
106	<p>Incoterms 1980 (4110) Code to indicate applicable Incoterm (1980 edition) under which seller undertakes to deliver merchandise to buyer (ICC). Incoterms 1990: use 4053 only.</p> <p>Notes: This code value will be removed effective with directory D.04A.</p>
132	<p>Charge Identification of a type of charge.</p> <p>Notes: This code value will be removed effective with directory D.04A.</p>
154	<p>Bank branch sorting identification Identification of a specific branch of a bank.</p> <p>Notes: This code value will be removed effective with directory D.04A.</p>
157	<p>Clearing code Identification of the responsible bank/clearing house which has cleared or is ordered to do the clearing.</p> <p>Notes: This code value will be removed effective with directory D.04A.</p>
166	<p>Social security identification Code assigned by the authority competent to issue social security identification to identify a person.</p> <p>Notes: This code value will be removed effective with directory D.04A.</p>

Used Codes

174	Citizen identification Self explanatory.
	Notes: This code value will be removed effective with directory D.04A. GS1 Description: Code issued by national authority competent to issue citizen identification to identify a person.
1E	Incoterms 1990 (GS1 Temporary Code) Incoterms 1990 as published by the International Chamber of Commerce (ICC).
2E	Incoterms 2000 (GS1 Temporary Code) Incoterms 2000 as published by the International Chamber of Commerce (ICC).
3E	Incoterms 2010 (GS1 Temporary Code) Incoterms 2010 as published by the International Chamber of Commerce (ICC).
ADR	Accord Europeen au transport international dangereuses (GS1 Temporary Code) A European agreement concerning the international carriage of dangerous goods by road.
BR	Brand (GS1 Temporary Code) An identifying mark or label on the products of a particular company, or the kind or make of a commodity.
CA	Category (GS1 Temporary Code) A class or division in a scheme of classification.
CO	Colour (GS1 Temporary Code) Description of the colour required/available on the goods.
FL	Flavor (GS1 Temporary Code) The characteristic quality of goods.
HMT	Hazardous material standard text (GS1 Temporary Code) Code indicating agreed standard text on hazardous materials.
LOC	Location Code (GS1 Temporary Code) This is a code to indicate where the EAS tag is located on the Trade Item. Values include On outside of Trade Item, Concealed inside Trade Item, Integrated Inside Trade Item.
OAG	Organic Claim Agency (GS1 Temporary Code) A governing body that creates and maintain standards related to organic products.
OCO	Organic Trade Item Code (GS1 Temporary Code) Used to indicate the organic status of a trade item or of one or more of its components.

Used Codes

OUM	Ordering unit of measure (GS1 Temporary Code) The alternate Unit of Measure of how Trade Items are ordered by the Retailer under one Unit of Measure, but sold under another Unit of Measure.
SRN	Service relation number (GS1 Temporary Code) A number used to identify a database entry which records recurring services, e.g., treatment of a patient in a hospital, usage by a member of a library facilities, etc.
ST	Style (GS1 Temporary Code) Specific or characteristic design in any goods.
SUM	Selling unit of measure (GS1 Temporary Code) Describes the measurement used for selling unit of the Trade Item to the end consumer.
SZ	Size (GS1 Temporary Code) Any of a series of graded classifications of measure into which goods are divided.
SZG	Size Group (GS1 Temporary Code) A description of the variable size that is necessary to uniquely specify the size of the item in conjunction with the nonpackaged size dimension.
TYP	Type Code (GS1 Temporary Code) This is a code to indicate the type of EAS tag located on the Trade Item. Values include Acousto-Magnetic, Electro-Magnetic, Ink or dye, Microwave, Radio Frequency.
X11	Diet Allergen (GS1 Temporary Code) Indication of which dietary or allergen marks that are on the package.
X12	Environment (GS1 Temporary Code) Indication of which environmental marks (e.g. recycling schemes) that are on trade item package.
X13	Ethical (GS1 Temporary Code) Indication of which ethical trading marks that are on the package.
X14	Free Form (GS1 Temporary Code) Indication of which free-from marks that are on the package.
X15	Expiration date (GS1 Temporary Code) Indicates the type of expiration date marked on the packaging.
X16	Nesting Direction (GS1 Temporary Code) Depicts the arrangement of two items that nest together specifically whether they nest against each other or on top of each other.
X17	Package Marks Hygienic (GS1 Temporary Code) Indication of which hygiene markings are present in the product package

Used Codes

X18	<p>Hazardous Components are Removable (GS1 Temporary Code)</p> <p>An indicator if any hazardous components contained within the trade item can easily be separated from the other materials to facilitate product recycling.</p>
X19	<p>Trade Item Has Refuse Obligations (GS1 Temporary Code)</p> <p>Indicates if there are special disposal obligations that apply to the trade item for example INTRASTAT.</p>
X20	<p>Trade Item Is Designed for Easy Disassembly (GS1 Temporary Code)</p> <p>Indicates that the trade item is designed for easy disassembly by recycling facilities using standard industry tools.</p>
X21	<p>Trade Item Is Rigid Plastic Packaging Container (GS1 Temporary Code)</p> <p>Indicates that a product is or is contained in a Rigid Plastic Packaging Container (RPPC) as defined by laws in the target market.</p>
X22	<p>Trade Item Is ROHS Compliant (GS1 Temporary Code)</p> <p>Indicates if the product is compliant with the European Union RoHS Directive.</p>
X23	<p>Trade Item Is Universal Waste (GS1 Temporary Code)</p> <p>Indicates if a product can be considered universal waste.</p>
X24	<p>Trade Item Is Consumer Upgradeable Or Maintainable (GS1 Temporary Code)</p> <p>Indicates if a product can be easily upgraded or have parts replaced by the consumer.</p>
X25	<p>Trade Item Contains Short Chain Chlorinated Paraffins (GS1 Temporary Code)</p> <p>Indicate if the trade item and/or its components contain paints, coatings, plastics or other materials containing short chain chlorinated paraffins (SCCPs).</p>
X26	<p>Trade Item Contains Pesticide (GS1 Temporary Code)</p> <p>Indicates if the trade item is advertised or labelled as a chemical or contains a chemical that is advertised or labelled to kill, repel or prevent the growth of any living organism.</p>
X27	<p>Trade Item Contains Propellant (GS1 Temporary Code)</p> <p>Indicates if a trade item contains a compressed gas or propellant.</p>
X28	<p>Trade Item Contains Polyvinyl Chloride (GS1 Temporary Code)</p> <p>Indicate if product contains Polyvinyl Chloride (PVC), a widely used thermoplastic polymer.</p>
X29	<p>Trade Item Chemical Is Not Intended For Human Consumption (GS1 Temporary Code)</p> <p>Indicates that the trade item is or contains a Liquid, Gel, Paste, Powder, or Flammable solid not intended for human consumption (ingested).</p>
X30	<p>ROHS Compliance Failure Material (GS1 Temporary Code)</p> <p>The material used in the trade item that does not comply with the ROHS Directives</p>

Used Codes

X31	Packaging Terms And Condition (GS1 Temporary Code) Indicates if the packaging given in the described packaging configuration is a rented, exchangeable, against deposit or one way/not reusable.
X32	Warranty Effective Date Type (GS1 Temporary Code) The type of date associated with the warranty trade item usually expressed as an event date for the item for example date of purchase, date of manufacture or date of delivery.
X33	Warranty Type (GS1 Temporary Code)
X35	Warranty Constraint (GS1 Temporary Code)
X36	Seasonal Availability End Date (GS1 Temporary Code) Indicates the end date of the trade item's seasonal availability.
X37	Seasonal Availability Start Date (GS1 Temporary Code) Indicates the start date of the trade item's seasonal availability.
X38	Season Calendar Year (GS1 Temporary Code) This element indicates the calendar year in which the trade item is seasonally available.
X39	Season Parameter (GS1 Temporary Code) Indication of the season, in which the trade item is available.
X40	Trade Item Automatic Power Down is Enabled (GS1 Temporary Code) An indicator whether a product is enabled with auto power down feature when shipped to the customer.
X41	Electrical Usage Agency Code (GS1 Temporary Code) The agency that regulates electrical usage for products within a target market.
X42	Nesting Type (GS1 Temporary Code) Depicts whether a nested item fits inside or over the other item in a nesting relationship.
X43	Display Dimension Type Code (GS1 Temporary Code) Depicts certain display scenarios used for measurement.
X44	Manufacturer Has Take Back Program (GS1 Temporary Code) Indicates if the manufacturer of the trade item offers any take back programs to consumers for the product to be reused, remanufactured or recycled by the manufacturer.
X45	Display Resolution (GS1 Temporary Code) The display resolution of a television or computer display.
X46	Orientation Preference Sequence (GS1 Temporary Code) Depicts the preferred sequence of orientation used to communicate the manufacturers relative preferences of orientation.
X47	Orientation Type (GS1 Temporary Code) Depicts via code a display orientation for a trade item.

Used Codes

X48	Electrical Usage Trade Item Classification Code (GS1 Temporary Code) A classification code value from a product classification scheme provided to drive required information for electrical usage.
X49	Electrical Usage Trade Item Classification Name (GS1 Temporary Code) A classification name from a product classification scheme provided to drive required information for electrical usage.
X50	Electrical Usage SubClassification Code (GS1 Temporary Code) A sub-classification code value from a product classification scheme provided to drive required information for electrical usage.
X51	Electrical Usage SubClassification Name (GS1 Temporary Code) A sub-classification name provided to drive required information for electrical usage.
X52	Confirmation Status Code (GS1 Temporary Code) The CIC Confirmation Code must be of a type of code number that can be generated automatically by a computer system.
X53	Confirmation Status Code Description (GS1 Temporary Code) Provides the code description that matches up with the Code that can possibly be generated automatically by a computer system.
X54	Additional Confirmation Status Description (GS1 Temporary Code) Provides a way to communicate human entered information that may not be covered by the machine to machine codes and descriptions.
X55	Corrective Action (GS1 Temporary Code) Provides the corrective action code to fix the issue that caused the problem.
X56	Expected Corrective Information (GS1 Temporary Code) Provides the expected corrective information via a human entered information that may not be covered by the machine to machine codes.
X57	Electrical Usage Trade Item Classification Agency (GS1 Temporary Code) A classification agency or organisation whose product classification scheme is being provided to drive required information for electrical usage.
X58	ASFIS (GS1 Permanent Code) FAO alph-3 code list for fish species identification, commercial name & scientific name.
X59	FAO fishing areas (GS1 Permanent Code) FAO fishing areas codelist.
X60	FAO Fishing gear type (GS1 Permanent Code) FAO Fishing gear type codelist.
X61	EU fish quality (GS1 Permanent Code) EU fish quality grade code list (E, A, B, C).
X62	EU fish size (GS1 Permanent Code) EU fish standardized size code list (1, 2, 3, 4, 5 & One_Size).

Used Codes

X63	EU fish presentation (GS1 Permanent Code) EU fish presentation code list (3 or 5 char alpha code).
ZZZ	Mutually defined Self explanatory. Notes: This code value will be removed effective with directory D.04A.
1153	Reference code qualifier Code qualifying a reference.
GN	Government reference number A number that identifies a government reference. GS1 Description: This code value should not be used to provide the tax identification number for a party (use code VA).
1225	Message function code Code indicating the function of the message.
1	Cancellation Message cancelling a previous transmission for a given transaction.
2	Addition Message containing items to be added. GS1 Description: Message containing items (e.g. line items, goods items, customs items, equipment items) to be added to a previously sent message or existing data base.
3	Deletion Message containing items to be deleted. GS1 Description: Message containing items (e.g. line items, goods items, customs items, equipment items) to be deleted in a previously sent message or an existing data base.
4	Change Message containing items to be changed. GS1 Description: Message containing items (e.g. line items, goods items, customs items, equipment items) to be changed in a previously sent message or an existing data base.
5	Replace Message replacing a previous message.
6	Confirmation Message confirming the details of a previous transmission where such confirmation is required or recommended under the terms of a trading partner agreement.

Used Codes

7	Duplicate The message is a duplicate of a previously generated message.
9	Original Initial transmission related to a given transaction.
11	Response Message responding to a previous message or document.
12	Not processed Message indicating that the referenced message was received but not yet processed.
13	Request Code indicating that the referenced message is a request.
15	Reminder Repeated message transmission for reminding purposes.
16	Proposal Message content is a proposal.
17	Cancel, to be reissued Referenced transaction cancelled, reissued message will follow.
23	Transaction on hold Message not to be processed until further release information.
27	Not accepted Message to inform that the referenced message is not accepted by the recipient.
29	Accepted without amendment Referenced message is entirely accepted.
31	Copy Indicates that the message is a copy of an original message that has been sent, e.g. for action or information.
34	Accepted with amendment The referenced message is accepted but amended.
35	Retransmission Change-free transmission of a message previously sent.
42	Confirmation via specific means Message confirming a transaction previously agreed via other means (e.g. phone).
43	Additional transmission Message already transmitted via another communication channel. This transmission is to provide electronically processable data only.

Used Codes

45	Accepted with reserves Message accepted with reserves.
46	Provisional Message content is provisional.
47	Definitive Message content is definitive.
55	Notification only The receiver may use the notification information for analysis only.
60	No action since last message Code indicating the fact that no action has taken place since the last message.
2005	Date or time or period function code qualifier Code qualifying the function of a date, time or period.
137	Document/message date/time (2006) Date/time when a document/message is issued. This may include authentication.
361	Best before date The best before date.
366	Inventory report date Date on which a inventory report is made.
2379	Date or time or period format code Code specifying the representation of a date, time or period.
2	DDMMYY Calendar date: D = Day; M = Month; Y = Year.
101	YYMMDD Calendar date: Y = Year; M = Month; D = Day.
102	CCYYMMDD Calendar date: C = Century ; Y = Year ; M = Month ; D = Day.
104	MMWW-MMWW A period of time specified by giving the start week of a month followed by the end week of a month. Data is to be transmitted as consecutive characters without hyphen.
107	DDD Day's number within a specific year: D = Day.
108	WW Week's number within a specific year: W = Week.

Used Codes

109	MM Month's number within a specific year: M = Month.
110	DD Day's number within is a specific month.
201	YYMMDDHHMM Calendar date including time without seconds: Y = Year; M = Month; D = Day; H = Hour; M = Minute.
203	CCYYMMDDHHMM Calendar date including time with minutes: C=Century; Y=Year; M=Month; D=Day; H=Hour; M=Minutes.
204	CCYYMMDDHHMMSS Calendar date including time with seconds: C=Century;Y=Year; M=Month; D=Day;H=Hour;M=Minute;S=Second.
401	HHMM Time without seconds: H = Hour; m = Minute.
501	HHMMHHMM Time span without seconds: H = Hour; m = Minute;.
502	HHMMSS-HHMMSS Format of period to be given without hyphen.
602	CCYY Calendar year including century: C = Century; Y = Year.
609	YYMM Month within a calendar year: Y = Year; M = Month.
610	CCYYMM Month within a calendar year: CC = Century; Y = Year; M = Month.
615	YYWW Week within a calendar year: Y = Year; W = Week 1st week of January = week 01.
616	CCYYWW Week within a calendar year: CC = Century; Y = Year; W = Week (1st week of January = week 01).
713	YYMMDDHHMM-YYMMDDHHMM Format of period to be given in actual message without hyphen.
715	YYWW-YYWW A period of time specified by giving the start week of a year followed by the end week of year (both not including century). Data is to be transmitted as consecutive characters without hyphen.
717	YYMMDD-YYMMDD Format of period to be given in actual message without hyphen.

Used Codes

718	CCYYMMDD-CCYYMMDD Format of period to be given without hyphen.
719	CCYYMMDDHHMM-CCYYMMDDHHMM A period of time which includes the century, year, month, day, hour and minute. Format of period to be given in actual message without hyphen.
720	DHHMM-DHHMM Format of period to be given without hyphen (D=day of the week, 1=Monday; 2=Tuesday; ... 7=Sunday).
801	Year To indicate a quantity of years.
802	Month To indicate a quantity of months.
803	Week To indicate a quantity of weeks.
804	Day To indicate a quantity of days.
805	Hour To indicate a quantity of hours.
806	Minute To indicate a quantity of minutes.
810	Trimester To indicate a quantity of trimesters (three months).
811	Half month To indicate a quantity of half months.
21E	DDHHMM-DDHHMM (GS1 Temporary Code) Format of period to be given in actual message without hyphen.
3035	Party function code qualifier Code giving specific meaning to a party.
LSP	Logistic Service Provider (GS1 Temporary Code) A party providing logistic services for another party (e.g re-packing suppliers products) on products which may lead to added value for the product.
MR	Message recipient A party to receive a message or messages.
SN	Store number A party keeping a shop or store. GS1 Description: Number allocated to identify a store.

Used Codes

SU	Supplier Party who supplies goods and/or services. GS1 Description: Party which provides service(s) and/or manufactures or otherwise has possession of goods, and consigns or makes them available in trade.
3055	Code list responsible agency code Code specifying the agency responsible for a code list.
9	GS1 GS1 (formerly EAN International), an organisation of GS1 Member Organisations, which manages the GS1 System. GS1 Description: GS1 International.
91	Assigned by supplier or supplier's agent Codes assigned by a seller or seller's agent. GS1 Description: Code assigned by the supplier or supplier's agent.
246	GS1 Germany Organisation responsible for GS1 System in Germany. GS1 Description: German representative of International Article Numbering association (GS1).
3207	Country name code Identification of the name of the country or other geographical entity as defined in ISO 3166-1. Notes: 1. Use ISO 3166-1 two alpha country code.
AD	ANDORRA
AE	UNITED ARAB EMIRATES
AF	AFGHANISTAN
AG	ANTIGUA AND BARBUDA
AI	ANGUILLA
AL	ALBANIA
AM	ARMENIA
AN	NETHERLANDS ANTILLES
AO	ANGOLA
AQ	ANTARCTICA
AR	ARGENTINA
AS	AMERICAN SAMOA
AT	AUSTRIA

Used Codes

AU	AUSTRALIA
AW	ARUBA
AZ	AZERBAIJAN
BA	BOSNIA AND HERZEGOVINA
BB	BARBADOS
BD	BANGLADESH
BE	BELGIUM
BF	BURKINA FASO
BG	BULGARIA
BH	BAHRAIN
BI	BURUNDI
BJ	BENIN
BM	BERMUDA
BN	BRUNEI DARUSSALAM
BO	BOLIVIA
BR	BRAZIL
BS	BAHAMAS
BT	BHUTAN
BV	BOUVET ISLAND
BW	BOTSWANA
BY	BELARUS
BZ	BELIZE
CA	CANADA
CC	COCOS (KEELING) ISLANDS
CD	CONGO, THE DEMOCRATIC REPUBLIC OF THE
CF	CENTRAL AFRICAN REPUBLIC
CG	CONGO
CH	SWITZERLAND
CI	COTE D'IVOIRE
CK	COOK ISLANDS
CL	CHILE
CM	CAMEROON
CN	CHINA

Used Codes

CO	COLOMBIA
CR	COSTA RICA
CU	CUBA
CV	CAPE VERDE
CX	CHRISTMAS ISLAND
CY	CYPRUS
CZ	CZECH REPUBLIC
DE	GERMANY
DJ	DJIBOUTI
DK	DENMARK
DM	DOMINICA
DO	DOMINICAN REPUBLIC
DZ	ALGERIA
EC	ECUADOR
EE	ESTONIA
EG	EGYPT
EH	WESTERN SAHARA
ER	ERITREA
ES	SPAIN
ET	ETHIOPIA
FI	FINLAND
FJ	FIJI
FK	FALKLAND ISLANDS (MALVINAS)
FM	MICRONESIA, FEDERATED STATES OF
FO	FAROE ISLANDS
FR	FRANCE
GA	GABON
GB	UNITED KINGDOM
GD	GRENADA
GE	GEORGIA
GF	FRENCH GUIANA
GH	GHANA
GI	GIBRALTAR

Used Codes

GL	GREENLAND
GM	GAMBIA
GN	GUINEA
GP	GUADELOUPE
GQ	EQUATORIAL GUINEA
GR	GREECE
GS	SOUTH GEORGIA AND THE SOUTH SANDWICH ISLANDS
GT	GUATEMALA
GU	GUAM
GW	GUINEA-BISSAU
GY	GUYANA
HK	HONG KONG
HM	HEARD ISLAND AND MCDONALD ISLANDS
HN	HONDURAS
HR	CROATIA
HT	HAITI
HU	HUNGARY
ID	INDONESIA
IE	IRELAND
IL	ISRAEL
IN	INDIA
IO	BRITISH INDIAN OCEAN TERRITORY
IQ	IRAQ
IR	IRAN, ISLAMIC REPUBLIC OF
IS	ICELAND
IT	ITALY
JM	JAMAICA
JO	JORDAN
JP	JAPAN
KE	KENYA
KG	KYRGYZSTAN
KH	CAMBODIA
KI	KIRIBATI

Used Codes

KM	COMOROS
KN	SAINT KITTS AND NEVIS
KP	KOREA, DEMOCRATIC PEOPLE'S REPUBLIC OF
KR	KOREA, REPUBLIC OF
KW	KUWAIT
KY	CAYMAN ISLANDS
KZ	KAZAKSTAN
LA	LAO PEOPLE'S DEMOCRATIC REPUBLIC
LB	LEBANON
LC	SAINT LUCIA
LI	LIECHTENSTEIN
LK	SRI LANKA
LR	LIBERIA
LS	LESOTHO
LT	LITHUANIA
LU	LUXEMBOURG
LV	LATVIA
LY	LIBYAN ARAB JAMAHIRIYA
MA	MOROCCO
MC	MONACO
MD	MOLDOVA, REPUBLIC OF
MG	MADAGASCAR
MH	MARSHALL ISLANDS
MK	MACEDONIA, THE FORMER YUGOSLAV REPUBLIC OF
ML	MALI
MM	MYANMAR
MN	MONGOLIA
MO	MACAU
MP	NORTHERN MARIANA ISLANDS
MQ	MARTINIQUE
MR	MAURITANIA
MS	MONTSERRAT
MT	MALTA

Used Codes

MU	MAURITIUS
MV	MALDIVES
MW	MALAWI
MX	MEXICO
MY	MALAYSIA
MZ	MOZAMBIQUE
NA	NAMIBIA
NC	NEW CALEDONIA
NE	NIGER
NF	NORFOLK ISLAND
NG	NIGERIA
NI	NICARAGUA
NL	NETHERLANDS
NO	NORWAY
NP	NEPAL
NR	NAURU
NU	NIUE
NZ	NEW ZEALAND
OM	OMAN
PA	PANAMA
PE	PERU
PF	FRENCH POLYNESIA
PG	PAPUA NEW GUINEA
PH	PHILIPPINES
PK	PAKISTAN
PL	POLAND
PM	SAINT PIERRE AND MIQUELON
PN	PITCAIRN
PR	PUERTO RICO
PS	PALESTINIAN TERRITORY, OCCUPIED
PT	PORTUGAL
PW	PALAU
PY	PARAGUAY

Used Codes

QA	QATAR
RE	REUNION
RO	ROMANIA
RS	SERBIA
RU	RUSSIAN FEDERATION
RW	RWANDA
SA	SAUDI ARABIA
SB	SOLOMON ISLANDS
SC	SEYCHELLES
SD	SUDAN
SE	SWEDEN
SG	SINGAPORE
SH	SAINT HELENA
SI	SLOVENIA
SJ	SVALBARD AND JAN MAYEN
SK	SLOVAKIA
SL	SIERRA LEONE
SM	SAN MARINO
SN	SENEGAL
SO	SOMALIA
SR	SURINAME
ST	SAO TOME AND PRINCIPE
SV	EL SALVADOR
SY	SYRIAN ARAB REPUBLIC
SZ	SWAZILAND
TC	TURKS AND CAICOS ISLANDS
TD	CHAD
TF	FRENCH SOUTHERN TERRITORIES
TG	TOGO
TH	THAILAND
TJ	TAJKISTAN
TK	TOKELAU
TM	TURKMENISTAN

Used Codes

TN	TUNISIA
TO	TONGA
TP	EAST TIMOR
TR	TURKEY
TT	TRINIDAD AND TOBAGO
TV	TUVALU
TW	TAIWAN, PROVINCE OF CHINA
TZ	TANZANIA, UNITED REPUBLIC OF
UA	UKRAINE
UG	UGANDA
UM	UNITED STATES MINOR OUTLYING ISLANDS
US	UNITED STATES
UY	URUGUAY
UZ	UZBEKISTAN
VA	HOLY SEE (VATICAN CITY STATE)
VC	SAINT VINCENT AND THE GRENADINES
VE	VENEZUELA
VG	VIRGIN ISLANDS, BRITISH
VI	VIRGIN ISLANDS, U.S.
VN	VIET NAM
VU	VANUATU
WF	WALLIS AND FUTUNA
WS	SAMOA
YE	YEMEN
YT	MAYOTTE
YU	YUGOSLAVIA
ZA	SOUTH AFRICA
ZM	ZAMBIA
ZW	ZIMBABWE

Used Codes

3223	First related location name code Code specifying first related location.
	Notes: 1. Recommend use UN/ECE Recommendation No. 16: UN/LOCODE. If not applicable, use appropriate code set in combination with 1131/3055.
LATDEC	Latitude DEC (GS1 Permanent Code) Latitude of a location expressed in decimal degree (DD.dddd) + N or S.
LATDMS	Latitude DMS (GS1 Permanent Code) Latitude of a location expressed in degree, minute & second (DDMMSS) + N or S.
3227	Location function code qualifier Code identifying the function of a location.
14	Location of goods (3384) Place where goods are located and where they are available for examination.
4233	Marking instructions code Code specifying instructions for marking.
33E	Marked with serial shipping container code (GS1 Temporary Code) Indication that the serial shipping container code has been marked on a package.
4347	Product identifier code qualifier Code qualifying the product identifier.
1	Additional identification Information which specifies and qualifies product identifications.
4403	Instruction type code qualifier Code qualifying the type of instruction.
1	Action required Instruction requires action.
2	Party instructions The instructions are to be executed by means of a party.
10E	Return instruction (GS1 Temporary Code) An instruction concerning the return of identified goods.
11E	Action completed (GS1 Temporary Code) Instruction informs action completed.

Used Codes

4405	Status description code Code specifying a status. EAN Description: The UN/EDIFACT code values are not unique. To prevent collision, some codes have been defined as EAN Codes.
1	To be done Remark that the requested service in the order remains outstanding.
3	Arrival, in defective condition [UN/Rec24 transport status] GS1 Description: Goods/consignments/equipment has been received or a means of transport has arrived in a defective condition.
4	Final The amount has the status of finality.
5	Subject to final payment The amount is subject to finality.
6	Minimum The amount quoted is a minimum tariff.
7	Fixed The amount quoted is a fixed tariff.
8	Maximum The amount quoted is a maximum tariff.
9	Information The amount is quoted for information only, it is not part of the charges to be deducted or added.
10	Cleared by agriculture, food or fisheries authorities [UN/Rec24 transport status] The goods/consignment/equipment/means of transport has been cleared by agriculture, food or fisheries authorities. GS1 Description: Goods/consignments/equipment have been held prior to shipment and are now cleared for shipment following examination by relevant authority.
11	Cleared by port authority [UN/Rec24 transport status] The goods/consignment/equipment/means of transport has been cleared by port authority. GS1 Description: The port authority has given permission for the goods/consignments/equipment/means of transport to leave the port.

Used Codes

12	<p>Cleared by customs [UN/Rec24 transport status] The goods/consignment/equipment/means of transport has been cleared by customs. GS1 Description: Customs have cleared goods/consignments for import/export.</p>
13	<p>Collection/pick-up, completed [UN/Rec24 transport status] The goods/consignment/equipment has been collected/picked-up. GS1 Description: Goods/consignments/equipment have been collected from a predetermined location.</p>
14	<p>Process, completed [UN/Rec24 transport status] The process has been completed.</p>
15	<p>Consolidated [UN/Rec24 transport status] The goods/consignments have been consolidated. GS1 Description: Goods/consignments have been added to other goods/consignments to form a larger consignment and/or have been incorporated into one or more containers/units.</p>
16	<p>Crossed border [UN/Rec24 transport status] The goods/consignments/equipment/means of transport has crossed a border. GS1 Description: Goods/consignments/equipment have crossed a border from one country to another.</p>
17	<p>Customs clearance, refused [UN/Rec24 transport status] The goods/consignment/equipment/means of transport has been refused to be cleared by the customs authorities. GS1 Description: The Customs authorities have refused to clear the goods/consignments/equipment.</p>
18	<p>Damaged in the course of transportation [UN/Rec24 transport status] The goods/consignment/equipment has been damaged in the course of transportation. GS1 Description: Goods/consignments/equipment have been damaged in the course of transportation.</p>
19	<p>Equipment, damage quoted for [UN/Rec24 transport status] Damaged equipment has been assessed and a repair quotation has been sent. GS1 Description: Damaged equipment has been assessed and the quotation sent to lessor.</p>

Used Codes

20	<p>Delayed, in the course of transportation</p> <p>[UN/Rec24 transport status]</p> <p>The goods/consignment/equipment/means of transport has been delayed in the course of transportation.</p> <p>GS1 Description: Goods/consignments/equipment have been delayed in the course of transportation.</p>
21	<p>Delivery, completed</p> <p>[UN/Rec24 transport status]</p> <p>The goods/consignment/equipment has been delivered.</p> <p>GS1 Description: The goods/consignments/equipment have been delivered to a location/party in the transport chain.</p>
22	<p>Subject to agreed condition</p> <p>Subject to agreed condition.</p>
23	<p>Delivery, not completed</p> <p>[UN/Rec24 transport status]</p> <p>Delivery of the goods/consignment/equipment has not been completed.</p> <p>GS1 Description: Delivery of the goods/consignments/equipment has not been completed as per definition.</p>
24	<p>Departure, completed</p> <p>[UN/Rec24 transport status]</p> <p>The means of transport has departed.</p> <p>GS1 Description: The means of transport has departed from a location in the transport chain.</p>
25	<p>Departure, delayed</p> <p>[UN/Rec24 transport status]</p> <p>The means of transport has been delayed in departure.</p> <p>GS1 Description: The transport has been delayed in departing on the arranged transport action.</p>
26	<p>Deramped</p> <p>[UN/Rec24 transport status]</p> <p>The equipment has been removed from a position above another type of equipment and/or on a means of transport.</p> <p>GS1 Description: Equipment has been removed from a position above other equipment on a means of transport.</p>
27	<p>Despatch, completed</p> <p>[UN/Rec24 transport status]</p> <p>The goods/consignment/equipment has been despatched.</p> <p>GS1 Description: The goods/consignments/equipment have departed from a location in the transport chain.</p>

Used Codes

28	<p>Stripped</p> <p>[UN/Rec24 transport status] The goods/consignment/equipment has been unloaded from a piece of equipment in which they were transported.</p> <p>GS1 Description: The goods/consignments/equipment have been unloaded from equipment in which they were transported.</p>
29	<p>Unloaded</p> <p>[UN/Rec24 transport status] The goods/consignment/equipment has been unloaded from a means of transport.</p> <p>GS1 Description: The goods/consignments/equipment have been unloaded from a means of transport.</p>
30	<p>Empty on inspection</p> <p>[UN/Rec24 transport status] The package/equipment has been found to be empty on inspection.</p> <p>GS1 Description: The package/equipment has been found to be empty.</p>
31	<p>En route</p> <p>[UN/Rec24 transport status] The goods/consignment/equipment/means of transport is moving to destination.</p> <p>GS1 Description: The goods/consignments/equipment are in the normal course of transportation to the next destination.</p>
32	<p>Equipment, returned from repair</p> <p>[UN/Rec24 transport status] The equipment has been returned from repair.</p> <p>GS1 Description: A piece of equipment has been received in after having been sent out for repair.</p>
33	<p>Equipment, sent for repair</p> <p>[UN/Rec24 transport status] The equipment has been sent for repair.</p> <p>GS1 Description: A piece of equipment has been sent out for repair.</p>
34	<p>Equipment, repaired</p> <p>[UN/Rec24 transport status] The equipment has been repaired.</p> <p>GS1 Description: A damaged piece of equipment has been repaired.</p>

Used Codes

35	<p>Forwarded to destination</p> <p>[UN/Rec24 transport status] The goods/consignment/equipment has been forwarded to a destination.</p> <p>GS1 Description: The goods/consignments/equipment have been expedited to the next/final destination in the transport chain.</p>
36	<p>Not found</p> <p>[UN/Rec24 transport status] The goods/consignment/equipment/means of transport has not been found.</p> <p>GS1 Description: The goods/consignments/equipment notified to be missing has not been located.</p>
37	<p>Stolen</p> <p>A consignment or goods have been stolen.</p>
38	<p>Freight paid</p> <p>[UN/Rec24 transport status] The freight charges have been paid.</p> <p>GS1 Description: The freight charges on goods/consignments/equipment have been paid.</p>
39	<p>Released from bond</p> <p>[UN/Rec24 transport status] The goods/consignment/equipment has been released from bond.</p> <p>GS1 Description: The goods/consignments/equipment has been moved/is available to be moved from bond.</p>
40	<p>Arrival, at port</p> <p>[UN/Rec24 transport status] The goods/consignment/equipment has arrived at the port.</p> <p>GS1 Description: The goods/consignments/equipment has arrived/is available at port.</p>
45	<p>Arrival, consignee informed</p> <p>[UN/Rec24 transport status] The consignee has been informed of the arrival of the goods/consignments/equipment/means of transport.</p> <p>GS1 Description: The consignee has been informed formally of the arrival at a transit or final destination of goods/consignments/equipment.</p>
46	<p>Moved, into bond</p> <p>[UN/Rec24 transport status] The goods/consignment/equipment has been moved into bond.</p> <p>GS1 Description: The goods/consignments/equipment has been moved/is available to be moved into bond.</p>

Used Codes

47	<p>Moved, into packing depot</p> <p>[UN/Rec24 transport status] The goods/consignment/equipment has been moved into a packing depot.</p> <p>GS1 Description: The goods/consignments/equipment has been moved into a LCL (less than container load)/packing depot.</p>
48	<p>Loading, completed onto a means of transport</p> <p>[UN/Rec24 transport status] The goods/consignment/equipment has been loaded onto a means of transport.</p> <p>GS1 Description: The goods/consignments/equipment have been loaded onto a means of transport.</p>
49	<p>Lost</p> <p>[UN/Rec24 transport status] The goods/consignment/equipment/means of transport has been lost.</p> <p>GS1 Description: The goods/consignments/equipment have been lost in the course of a movement along the transport chain.</p>
50	<p>Manifested</p> <p>[UN/Rec24 transport status] The goods/consignment/equipment has been included on a manifest .</p> <p>GS1 Description: The goods/consignments/equipment have been included on the list of items moving from one location to another in the transport chain.</p>
58	<p>Quantity error</p> <p>The quantity is an error.</p>
59	<p>Monetary amount error</p> <p>The monetary amount is an error.</p>
60	<p>Product not ordered</p> <p>The product was not ordered.</p>
63	<p>Not accepted</p> <p>The item has not been accepted.</p>
64	<p>Order or request cancelled</p> <p>The referenced order or request has been cancelled.</p>
65	<p>Equipment, plugged-in</p> <p>[UN/Rec24 transport status] The equipment has been plugged into a power source.</p> <p>GS1 Description: Equipment, e.g. a refrigerated container, has been plugged into the power source.</p>

Used Codes

66	<p>Plundered</p> <p>[UN/Rec24 transport status] The goods/consignment/equipment/means of transport has been plundered.</p> <p>GS1 Description: The goods/consignments/equipment has been plundered.</p>
67	<p>Positioned</p> <p>[UN/Rec24 transport status] The goods/consignment/equipment has been positioned.</p> <p>GS1 Description: Goods/consignments/equipment have been positioned on a means of transport.</p>
68	<p>Pre-informed</p> <p>[UN/Rec24 transport status] The party has been informed in advance.</p> <p>GS1 Description: The consignor/consignee has been advised in advance of a transport action.</p>
70	<p>Ramped equipment</p> <p>[UN/Rec24 transport status] The equipment has been placed above another type of equipment and/or placed on a means of transport.</p> <p>GS1 Description: Equipment has been placed above other equipment and placed on a means of transport.</p>
71	<p>Available for ordering</p> <p>Goods are available for ordering.</p>
72	<p>Not available for ordering</p> <p>Goods are not available for ordering.</p>
73	<p>Receipt of goods partially acknowledged</p> <p>[UN/Rec24 transport status] The receipt of goods has been partially acknowledged.</p> <p>GS1 Description: The consignee has not given full acknowledgement for the receipt of goods.</p>
74	<p>Expiry date exceeded</p> <p>The expiry date has been exceeded.</p> <p>GS1 Description: The expiry date for goods has been surpassed.</p>
77	<p>All published issues since issue specified in claim</p> <p>Applies to all published issues since issue specified in claim.</p>
78	<p>Released</p> <p>[UN/Rec24 transport status] The goods/consignment/equipment has been released.</p> <p>GS1 Description: Goods/consignments/equipment have been released to an authorized party.</p>

Used Codes

79	<p>Reloaded onto a means of transport [UN/Rec24 transport status] The goods/consignment/equipment has been reloaded onto a means of transport.</p>
80	<p>Returned as instructed [UN/Rec24 transport status] The goods/consignment/equipment has been returned as instructed. GS1 Description: The goods/consignments/equipment has been returned to a location as per instructions.</p>
81	<p>Returned as wreck [UN/Rec24 transport status] The goods/consignment/equipment/means of transport has been returned in a wrecked condition . GS1 Description: The goods/consignments/equipment has been returned in a wrecked condition to a location as per instructions.</p>
82	<p>Returned [UN/Rec24 transport status] The goods/consignment/equipment has been returned. GS1 Description: Goods/consignments/equipment have been returned to a previous location.</p>
83	<p>Sealed equipment [UN/Rec24 transport status] The equipment has been sealed. GS1 Description: The equipment has been sealed according to operational and governmental requirements.</p>
84	<p>Service ordered [UN/Rec24 transport status] A service has been ordered. GS1 Description: A service has been ordered in relation to the transportation of goods/consignments/equipment.</p>
85	<p>Short landed [UN/Rec24 transport status] Goods/consignments/equipment manifested for unloading have not been unloaded. GS1 Description: Goods/consignments/equipment expected to be discharged from a means of transport at a specific location have not been discharged.</p>

Used Codes

86	<p>Short shipped</p> <p>[UN/Rec24 transport status] The goods/consignment/equipment expected to be sent has not been fully loaded onto a means of transport. The goods/consignments/equipment expected to be sent to a specific destination on a selected means of transport from a specific location have not been loaded for onward delivery.</p>
88	<p>Split consignment</p> <p>[UN/Rec24 transport status] The consignment of goods has been split. GS1 Description: The consignment of goods has been split into two or more consignments.</p>
89	<p>Steam cleaned</p> <p>[UN/Rec24 transport status] The goods/equipment has been steam cleaned. GS1 Description: The equipment, e.g. a container, has been steam cleaned.</p>
90	<p>Movement stopped</p> <p>[UN/Rec24 transport status] The movement of the goods/consignment/equipment has been stopped . GS1 Description: The goods/consignments/equipment have been stopped from further movement in the transport chain.</p>
91	<p>Stored</p> <p>[UN/Rec24 transport status] The goods/consignment/equipment has been placed into storage. GS1 Description: The goods/consignments/equipment have been stored at a location.</p>
92	<p>Stowed</p> <p>[UN/Rec24 transport status] The goods/consignment/equipment has been placed on a means of transport. GS1 Description: The goods/consignments/equipment have been stowed for transportation in the selected equipment/means of transport.</p>
93	<p>Stuffed</p> <p>[UN/Rec24 transport status] The goods/consignments have been loaded into a piece of equipment. GS1 Description: The goods/consignments/equipment have been loaded into a piece of equipment, e.g. a container.</p>
94	<p>Stuffed and sealed</p> <p>[UN/Rec24 transport status] The goods/consignments have been loaded into a piece of equipment and the equipment has been sealed. GS1 Description: The goods/consignments/equipment have been loaded into a piece of equipment and the equipment has been sealed.</p>

Used Codes

95	<p>Sub-lease notice in</p> <p>[UN/Rec24 transport status]</p> <p>A sub-lease notice has been sent to the lessor.</p> <p>GS1 Description:</p> <p>In the leasing of equipment a sub-lease has been notified to the lessor.</p>
96	<p>Sub-lease notice out</p> <p>[UN/Rec24 transport status]</p> <p>A sub-lease notice has been sent by the lessee.</p> <p>GS1 Description:</p> <p>In the leasing of equipment a sub-lease has been notified by a lessee.</p>
97	<p>Damage surveyed</p> <p>[UN/Rec24 transport status]</p> <p>The goods/consignment/equipment has been surveyed to assess the damage.</p> <p>GS1 Description:</p> <p>Damaged goods/consignments/equipment have been officially surveyed by a third party to assess the extent of damage.</p>
98	<p>Transferred in</p> <p>[UN/Rec24 transport status]</p> <p>The goods/consignment/equipment has been transferred in.</p> <p>GS1 Description:</p> <p>The goods/consignments/equipment have been transferred in from another location.</p>
99	<p>Transferred out</p> <p>[UN/Rec24 transport status]</p> <p>The goods/consignment/equipment has been transferred out.</p> <p>GS1 Description:</p> <p>The goods/consignments/equipment have been transferred out to another location.</p>
100	<p>Transshipment</p> <p>[UN/Rec24 transport status]</p> <p>The goods/consignment/equipment has been transferred to another means of transport.</p> <p>GS1 Description:</p> <p>The goods/consignments/equipment have been transhipped to another means of transport.</p>
101	<p>Delayed in transit</p> <p>[UN/Rec24 transport status]</p> <p>The goods/consignment/equipment/means of transport has been delayed in transit.</p> <p>GS1 Description:</p> <p>The goods/consignments/equipment has been delayed in transit.</p>
102	<p>Unknown</p> <p>[UN/Rec24 transport status]</p> <p>The goods/consignment/equipment/means of transport is not known.</p> <p>GS1 Description:</p> <p>The goods/consignments/equipment are not known to the source being enquired upon.</p>

Used Codes

103	Equipment, unplugged [UN/Rec24 transport status] The equipment has been removed from the power source. GS1 Description: Equipment, e.g. a refrigerated container, has been unplugged from the power source at a given location.
110	Stock quantity corrected A difference in quantity between stocks has been corrected.
117	Washed The object is washed. EDIFACT
118	Unwashed The object is wnot ashed. EDIFACT
314	Delayed, at origin [UN/Rec24 transport status] The goods/consignment/equipment/means of transport has been delayed at the origin.
315	Held, by logistic service provider [UN/Rec24 transport status] The goods/consignment/equipment has been held by the logistic service provider.
316	Incident occurred but accepted by ordering party [UN/Rec24 transport status] An incident has occurred but has been accepted by the ordering party.
317	Delivery party' premises closed during normal hours [UN/Rec24 transport status] The premises of the delivery party were closed during normal hours.
319	Despatch, preparation error [UN/Rec24 transport status] An error occurred during the preparation of the despatch.
324	Instruction to despatch, cancelled [UN/Rec24 transport status] The instruction to despatch has been cancelled.
326	Goods, held by third party on instruction from owner [UN/Rec24 transport status] Goods are held under control of a third party following an instruction from the owner of the goods.
327	Weight or volume loss [UN/Rec24 transport status] The goods have suffered a weight or volume loss.

Used Codes

328	Moved, internally [UN/Rec24 transport status] The goods/consignment/equipment has been moved internally.
329	Consignment partially stolen [UN/Rec24 transport status] The consignment has been partially stolen.
330	Consignment partially lost or missing [UN/Rec24 transport status] The consignment is partially lost or missing.
355	En route, via local route [UN/Rec24 transport status] The goods/consignment/equipment/means of transport is moving to destination via a local route.
356	En route, via national route [UN/Rec24 transport status] The goods/consignment/equipment/means of transport is moving to destination via a national route.
357	En route, via international route [UN/Rec24 transport status] The goods/consignment/equipment/means of transport is moving to destination via an international route.
1E	Arrived (GS1 Temporary Code) The goods/consignments/equipment/means of transport has arrived at a location.
20E	Direct deliver (GS1 Temporary Code) The order or goods are to be delivered direct to the consignee.
21E	Delivery through warehouse (GS1 Temporary Code) The order or goods are to be delivered to the consignee via a warehouse or distribution center.
22B	Delivery, completed as per instruction [UN/Rec24 transport status] Delivery of the goods/consignment/equipment has been completed as per instruction. GS1 Description: Delivery of the goods/consignments/equipment has been completed as per instruction.
22E	Despatched urgent (GS1 Temporary Code) The order or goods have been urgently despatched to the consignee.
23E	Delivered cash on delivery (GS1 Temporary Code) The order or goods have been delivered to the consignee cash on delivery.

Used Codes

24E	Delivered previous call (GS1 Temporary Code) The order or goods have been delivered to the consignee following calls to previous locations.
26E	Not enough information for despatch (GS1 Temporary Code) Not enough information was provided to enable the despatch of the order or goods.
27E	Local delivery ready for despatch (GS1 Temporary Code) A local delivery of an order or goods is ready for despatch.
28E	Long distance delivery ready for despatch (GS1 Temporary Code) A long distance delivery of an order or goods is ready for despatch.
29E	Local delivery expedited (GS1 Temporary Code) A local delivery of an order or goods has been expedited to its destination.
2E	Authorized to load (GS1 Temporary Code) Permission to load has been given by the responsible party.
30E	Long distance delivery expedited (GS1 Temporary Code) A long distance delivery of an order or goods has been expedited to its destination.
31E	Despatch being prepared (GS1 Temporary Code) An order or goods are currently being prepared for despatch.
32E	Modified order (GS1 Temporary Code) The referenced order has been modified according to an agreement between the trading parties.
34E	Collected by the consignee (GS1 Temporary Code) An order or goods has been collected by the consignee.
37B	Found [UN/Rec24 transport status] The goods/consignment/equipment/means of transport has been found. GS1 Description: The goods/consignments/equipment previously notified missing have now been located.
39E	Goods returned by recipient (GS1 Temporary Code) A code indicating the fact that goods delivered were returned by the recipient.
49E	Delivery in-complete - time shortage at delivery location (GS1 Temporary Code) The carrier was unable to complete the delivery of goods due to a shortage of time at the delivery location to handle the delivery.
4E	Defective equipment release (GS1 Temporary Code) Equipment previously the subject of a 'defective condition' status has been returned to service.

Used Codes

50E	Other (GS1 Temporary Code) An other incident (undefined) has occurred.
57E	Goods moved to replenish stock (GS1 Temporary Code) An indication that goods have been moved to replenish stock.
58E	Instruction to despatch arrived (GS1 Temporary Code) An indication from the logistic service provider that the Instruction To Despatch message has arrived.
59E	Despatch preparation (GS1 Temporary Code) An indication that goods have been being prepared for despatch.
5E	Begun (GS1 Temporary Code) The process has begun.
60E	Being returned (GS1 Temporary Code) Goods originally despatched are in the process of being returned from the delivery party.
62E	Refused by recipient (GS1 Temporary Code) Indication that the delivery of goods has been refused by the recipient.
64B	Collection/pick-up, awaited [UN/Rec24 transport status] The goods/consignment/equipment is awaiting collection/pick-up. GS1 Description: Goods/consignments/equipment are awaiting pick-up.
64E	Load planning safety margin (GS1 Temporary Code) Identifies the consignment(s) which can be used to compensate for load planning mistakes.
65E	To be loaded according to load planning (GS1 Temporary Code) Consignment is to be loaded according to load planning
69E	Damaged (GS1 Temporary Code) The goods/consignments/equipment have been damaged.
6E	Booked (GS1 Temporary Code) Goods/consignments/equipment or means of transport has been booked for subsequent movements.
70E	Handover (GS1 Temporary Code) The goods/consignments/equipment have been formally passed from one point in the transport chain to another under responsibility of the same transporter. (See also 'handover delivered'.)
71B	Ready for transportation [UN/Rec24 transport status] The goods/consignment/equipment is ready for transportation. GS1 Description: Goods/consignments/equipment have been made ready for transportation.

Used Codes

71E	Handover delivered (GS1 Temporary Code) The goods/consignments/equipment from one transport operator have been passed to another transport operator. (See also 'handover'.)
72B	Receipt of goods fully acknowledged (GS1 Temporary Code) [UN/Rec24 transport status] The receipt of goods has been fully acknowledged. GS1 Description: The consignee has given full acknowledgement for the receipt of goods.
72E	Handover received (GS1 Temporary Code) The goods/consignments/equipment have been received by one transport operator from another transport operator.
73E	Ill-routed consignment reforwarded (GS1 Temporary Code) The goods/consignments/equipment which was previously sent to a wrong destination is on the way to correct destination.
74B	Received [UN/Rec24 transport status] The goods/consignment/equipment have been received. GS1 Description: Goods/consignments/equipment have been received at a location/party in the transport chain.
74E	Offloaded (GS1 Temporary Code) The consignment has been offloaded.
75E	Not identified (GS1 Temporary Code) The goods/consignments/equipment expected to be located and identified in the transport chain cannot be identified.
76E	Not collected (GS1 Temporary Code) The goods/consignments/equipment expected to be collected after transportation have not been collected.
77B	Refused, action [UN/Rec24 transport status] The transport action has been refused. GS1 Description: The transport action/documentation has been refused.
77E	Not delivered (GS1 Temporary Code) The goods/consignments/equipment have not been delivered.
78E	Not loaded (GS1 Temporary Code) The goods/consignments/equipment to be loaded onto a means of transport have not been loaded on the expected transport.
79E	Off hire (GS1 Temporary Code) Equipment previously under hire to a customer has been returned to the lessor and the contract has been terminated.

Used Codes

7E	Booking cancelled (GS1 Temporary Code) The booking of goods/consignments/equipment or means of transport previously booked has been cancelled.
80E	On hire (GS1 Temporary Code) Equipment has been hired out to a hirer/customer.
81E	Outstanding claims settled (GS1 Temporary Code) Outstanding claims in respect of goods/consignments/equipment have been settled.
82E	Over landed (GS1 Temporary Code) Goods/consignments/equipment have been discharged from a means of transport at a specific location when they were not expected to be discharged.
83E	Package not ready (GS1 Temporary Code) The package was not available for collection.
84E	Put to refuse (GS1 Temporary Code) The goods/consignments/equipment has been written off and disposed of.
85E	Reconsigned (GS1 Temporary Code) Goods/consignments/equipment have been consigned to a party other than the original or subsequent consignees.
86E	Reforwarding on request (GS1 Temporary Code) The goods/consignments/equipment which has been delayed will be/has been reforwarded on request by appropriate authority.
87E	Sorted wrong route (GS1 Temporary Code) The goods/consignments/equipment has been sorted erroneously to an incorrect route.
8E	Cleared import restrictions (GS1 Temporary Code) Goods/consignments/equipment held for import restriction purposes have been released for import.
9E	Cleared export restrictions (GS1 Temporary Code) Goods/consignments/equipment held prior to loading have now been cleared for export.
CSA	Claim all issues since subscription start (GS1 Temporary Code) Claim refers to all issues since subscription start.
CSC	Claim all issues from and including issue specified in claim (GS1 Temporary Code) Claim refers to all issues from and including issue specified in claim.
CSD	Claim specified issue only (GS1 Temporary Code) Claim refers to specified issue only.
CSE	Claim cancelled (GS1 Temporary Code) Claim is cancelled.

Used Codes

X33	Damaged in the logistics service provider premises (GS1 Temporary Code) Goods/consignments/equipment have been damaged in the logistics service provider's premises while under the LSP responsibility.
X34	Goods destroyed by the logistics service provider (GS1 Temporary Code) The goods have been destroyed by the logistics service provider, by order of the owner of the goods after an event had occurred (the goods had been damaged, the best before date was exceeded, frozen goods had melted, etc).
X35	Released by the logistics service provider (GS1 Temporary Code) Goods/consignments/equipment have been released by the logistics service provider. They had been earlier blocked by the logistics service provider, e.g. to allow broken pallets to be sorted.
X37	Unwashed (GS1 Temporary Code) The object is not washed.
X38	In use (GS1 Temporary Code) The object is in use.
X39	Washed (GS1 Temporary Code) The object is washed.
X40	Available (GS1 Temporary Code) Goods are available.
X41	Not available (GS1 Temporary Code) Goods are not available.
4501	Inventory movement direction code Code specifying the direction of an inventory movement.
1	Movement out of inventory Outgoing goods.
2	Movement into inventory Incoming goods.
6063	Quantity type code qualifier Code qualifying the type of quantity.
156	Inventory movement quantity To specify the quantity of an inventory movement.
6411	Measurement unit code Code specifying the unit of measurement.
	Notes: 1. Recommend use UN/ECE Recommendation 20, Common code.
001	Barrel (205 litres, 45 gallons) (GS1 Temporary Code)

Used Codes

002	Degree days (GS1 Temporary Code)
003	Gigacaloric (GS1 Temporary Code)
04	small spray
23	gram per cubic centimetre GS1 Description: g/cm ³ as a unit of measure for the density of gas. This is necessary for dangerous substance articles for determination of the quantities that can be stored together on the shelf.
25	gram per square centimetre GS1 Description: A measure of weight in terms of gram per square centimetre.
28	kilogram per square metre GS1 Description: Unit of measure expressed in kilogram per square metre.
37	ounce per square foot
59	part per million
64	Pound per square inch, gauge A unit of measure expressed in pound per square inch
2N	decibel
2X	metre per minute GS1 Description: A measure of speed in terms of metres per minute.
4K	milliampere
4L	megabyte GS1 Description: A unit of computer memory equal to 1.048.576 (i.e. 2 power 20) bytes.
4O	microfarad GS1 Description: One millionth of a farad. A farad is the capacitance of a capacitor between the plates of which a potential of 1 volt is created by a charge of 1 Coulomb.
4P	newton per metre
A25	cheval vapeur
A86	gigahertz GS1 Description: Hertz multiplied by 10 ⁹ .
A99	Bit A unit of information equal to one binary digit.
ACR	acre GS1 Description: Acre (4840 yd ²)

Used Codes

AD	byte GS1 Description: A unit of information stored in a computer, equal to eight bits.
AMH	ampere hour GS1 Description: Ampere-hour (3,6kC)
AMP	ampere
AMT	Amount (GS1 Temporary Code) A measurement of monetary amount.
ANN	year GS1 Description: The expression of a year as a measure unit.
APX	Troy ounce (31.10348 g) (GS1 Temporary Code)
APZ	Troy ounce or apothecary ounce EDIFACT
ASM	alcoholic strength by mass GS1 Description: Alcoholic strength expressed by mass.
ASU	alcoholic strength by volume GS1 Description: Alcoholic strength expressed by volume.
AV	capsule GS1 Description: Encapsuled dosage form for pharmaceuticals.
B13	Joule per square metre A unit of measure of heat energy expressed in joule per square metre.
B17	Credit A unit of count defining the number of entries made to the credit side of an account.
BAR	bar GS1 Description: A unit of measure equal to 106 dines per square centimeter.
BTU	British thermal unit GS1 Description: British thermal unit (1,055 kilojoules)
C0	call GS1 Description: Unit of measure for telephone calls. Code value is C0 (C Zero).
C60	ohm centimetre GS1 Description: Unit of measure expressed in Ohm centimetre.

Used Codes

C79	Kilovolt Ampere Hour A unit of accumulated energy of 1000 volt amperes over a period of one hour. EDIFACT
CDL	candela GS1 Description: Unit of measure of light intensity.
CEL	degree celsius
CF2	Colony forming unit per gram (GS1 Temporary Code) Colony forming units per gram is a unit of measure for micro-organisms, such as bacteria, in a food item. Micro-organisms form colonies that are be counted under determined conditions
CLT	centilitre GS1 Description: A unit of volume equal to one hundredth of a liter.
CMK	square centimetre
CMQ	cubic centimetre GS1 Description: A system of units for the measurement of volume based on the cubic centimetre.
CMT	centimetre
D19	Square metre kelvin per watt Unit of measure of thermal insulance expressed in square metre kelvin per watt.
D21	square metre per kilogram GS1 Description: Unit of measure expressed in square metre per kilogram.
D32	Terawatt hour A unit of measure expressed in terawatt hour
D5	Kilogram per square centimetre A unit of measure expressed in kilogram per square centimetre
D55	Watt per square metre kelvin Unit of measure of thermal conductance expressed in watt per square metre kelvin.
D68	Number of Words A unit of count defining the number of words. EDIFACT
DAY	day GS1 Description: The expression of a day as a measure unit.
DD	degree GS1 Description: Unit of measure of temperature.

Used Codes

DMQ	cubic decimetre GS1 Description: Unit of measure expressed in cubic decimetre.
DMT	decimetre
DOS	Dose (GS1 Temporary Code) An amount of medicine, etc administered at one time.
DRG	Dragée (GS1 Temporary Code) Number of dragées (coated tablets) contained in the item's package as a measurement unit.
DZN	dozen GS1 Description: A unit of measure of 12 or group of 12.
E09	Milliampere hour A unit of power load delivered at the rate of one thousandth of an ampere over a period of one hour. EDIFACT
E10	Degree day A unit of measure used in meteorology and engineering to measure the demand for heating or cooling over a given period of days. EDIFACT
E11	Gigacalorie A unit of heat energy equal to one thousand million calories. EDIFACT
E27	Dose A unit of count defining the number of doses (dose: a definite quantity of a medicine or drug). EDIFACT
E31	Square metre per litre A unit of count defining the number of square metres per litre. EDIFACT
E32	Litre per hour A unit of count defining the number of litres per hour. EDIFACT
E34	Gigabyte A unit of information equal to 10 E9 bytes.
E37	Pixel A unit of count defining the number of pixels (pixel: picture element).
E38	Megapixel A unit of count equal to 10 E6 (1000000) pixels (picture elements).

Used Codes

E39	Dots per inch A unit of information defining the number of dots per linear inch as a measure of the resolution or sharpness of an image. GS1 Description: synonym: pixels per inch.
EA	each
EV	envelope GS1 Description: A unit of measure pertaining to the number of envelopes.
FAH	degree Fahrenheit
FOT	foot GS1 Description: Foot (0,3048 m)
FP	Pound per square foot A unit of measure expressed in pound per square foot
FTK	Square foot A unit of measure expressed in square foot
FTQ	cubic foot
GL	gram per litre
GLI	gallon (UK) GS1 Description: Gallon (4,546092 dm ³)
GM	gram per square metre GS1 Description: Unit of measure of grams per square metre.
GRM	gram
GRO	gross GS1 Description: A unit of measure of 12 dozens.
GV	gigajoule
GWH	gigawatt hour GS1 Description: Gigawatt-hour (1 million kW/h)
H87	Piece A unit of count defining the number of pieces (piece: a single item, article or exemplar). EDIFACT
HLT	hectolitre
HMT	hectometre A unit of linear measure equal to 10 E2 metres.

Used Codes

HTZ	hertz GS1 Description: One cycle per second.
HUR	hour
INH	inch GS1 Description: Inch (25,4 mm)
INK	Square inch A unit of measure expressed in square inch
JM	Megajoule per cubic metre EDIFACT
JOU	joule
K51	Kilocalorie (mean) EDIFACT
KAH	Kilovolt Ampere Hour (GS1 Temporary Code) A unit of measure expressed in Kilovolt Ampere Hour.
KB	kilocharacter
KBA	kilobar
KCL	Kilocalorie (GS1 Temporary Code) Unit of measure for the calorific value of the item (= 1000 cal).
KEL	kelvin
KGM	kilogram
KHZ	kilohertz
KJO	kilojoule
KL	kilogram per metre GS1 Description: A measure of weight in terms of kilogram per metre.
KMH	kilometre per hour GS1 Description: A unit of measure expressed in kilometre per hour.
KMQ	kilogram per cubic metre GS1 Description: A measure of weight in terms of kilogram per cubic metre.
KPA	kilopascal GS1 Description: Unit of measure expressed in kilopascal.
KTM	kilometre
KVA	kilovolt - ampere GS1 Description: A unit of electric power.

Used Codes

KVT	kilovolt
KWH	kilowatt hour
KWT	kilowatt
L2	litre per minute GS1 Description: Unit of measure expressed in litre per minute.
LBR	Pound EDIFACT
LD	Litre per day A unit of measure defining the number of litres per day.
LIH	Litre per hour (GS1 Temporary Code) Unit of measure expressed in litre per hour.
LNE	Printed line count (GS1 Temporary Code) The indication of the count of printed lines included on a paper communication (e.g. telegram) for invoicing purposes.
LTR	litre GS1 Description: Litre (1 dm ³)
LUX	lux GS1 Description: Unit of measure of illumination (it corresponds to the illumination of a surface which normally and uniformly receives a light flow of 1 lumen per square meter).
M4	Monetary value A unit of measure expressed as a monetary amount. EDIFACT
MAL	mega litre
MAW	megawatt
MC	microgram One millionth of a gram.
MCU	millicurie GS1 Description: Unit of measure for radioactivity.
MGM	milligram
MHZ	megahertz
MIN	minute
MLT	millilitre
MMK	square millimetre GS1 Description: A unit to measure a surface equal to one millionth of a quadrate.

Used Codes

MMQ	cubic millimetre GS1 Description: A unit of measure expressed in cubic milimetres.
MMT	millimetre
MON	month GS1 Description: The expression of a month as a measure unit.
MPA	megapascal GS1 Description: A unit of measure expressed in Megapascal.
MQH	Cubic metre per hour A unit of measure defining the number of cubic metres per hour.
MTA	Micro farad (GS1 Temporary Code) One millionth of a farad. A farad is the capacitance of a capacitor between the plates of which a potential of 1 volt is created by a charge of 1 Coulomb.
MTK	square metre
MTQ	cubic metre
MTR	metre
MTS	Metre per second A unit of speed expressed in metres per second.
MWH	megawatt hour (1000 kW.h)
NAR	number of articles
NEW	newton GS1 Description: The SI unit of force, equal to the force that would give a mass of one kilogram an acceleration of one metre per second.
NIU	number of international units A unit of count defining the number of international units.
NRL	number of rolls
ONZ	ounce GS1 Description: Ounce GB, US (28,349523 g)
OZA	fluid ounce (US) GS1 Description: Fluid ounce US (29,5735 cm ³)
OZI	fluid ounce (UK) GS1 Description: Fluid ounce UK (28,413 cm ³)

Used Codes

P1	percent GS1 Description: This code is used to indicate measurements in terms of percentages, e.g. the relative humidity (code RA in data element 6313) is 52%.
PA	packet
PAL	pascal GS1 Description: The SI unit of pressure, equal to one Newton per square metre.
PCE	Piece (GS1 Temporary Code)
PF	pallet (lift) GS1 Description: A number of articles expressed in terms of pallets.
PND	Pound (GS1 Temporary Code)
PR	pair GS1 Description: Two articles which belong together but are not necessarily identical.
PTI	pint (UK) GS1 Description: Pint UK (0,568262 dm3)
PTN	Portion (GS1 Temporary Code) The identification of the number of portions (doses in medical terms) into which a complete product may be broken into for serving purposes, e.g. a pie with 6 portions, a liquid medicine with 20 doses.
QAN	quarter (of a year)
QTI	quart (UK) GS1 Description: Quart UK (1,1136523 dm3)
RJH	Decanewton (GS1 Temporary Code) A unit of force equal to 10 Newton.
RPM	revolutions per minute
RTO	Ratio (GS1 Temporary Code)
SEC	second
SMI	Mile (statute mile) A unit of measure expressed in mile
SML	Square metre per litre (GS1 Temporary Code) Unit of measure expressed in square metre per litre.
ST	sheet
TNE	tonne (metric ton) GS1 Description: Metric ton (1000kg)

Used Codes

U2	tablet A unit of count defining the number of tablets (tablet: a small flat or compressed solid object). GS1 Description: Dosage form for pharmaceuticals, pressed or compacted from a powder into a solid dose.
UI	Unit of activity, predefined (GS1 Temporary Code) A measure pertaining to a predefined activity.
VI	vial GS1 Description: Small glass container. E.g. for a liquid medicine or perfume.
VLT	volt
WHR	watt hour
WRD	Word (GS1 Temporary Code) The specification of a word as a measurement unit, e.g. 21 words in a telex.
WTT	watt
YDK	Square yard A unit of measure expressed in square yard
YRD	yard GS1 Description: Yard (0,9144 m)
ZE	Milliampere hour (GS1 Temporary Code) A practical unit of quantity of electricity; the quantity that flows in one hour through a conductor carrying a current of 1 Ampere. 1 Ampere-hour is the equivalent to 36000 Coulombs.
ZP	page GS1 Description: The indication of a page as a measurement unit for invoicing purposes, e.g. fax pages.
7065	Package type description code Code specifying the type of package. Notes: 1. Recommend use UN/ECE Recommendation No. 21 (also, see current volume of UNTDED).
08	Oneway pallet (GS1 Temporary Code) Pallet need not be returned to the point of expedition.
09	Returnable pallet (GS1 Temporary Code) Pallet must be returned to the point of expedition.
200	Pallet ISO 0 - 1/2 EURO Pallet (GS1 Temporary Code) Standard pallet with dimensions 80 X 60 cm.

Used Codes

201	Pallet ISO 1 - 1/1 EURO Pallet (GS1 Temporary Code) Standard pallet with dimensions 80 X 120 cm.
202	Pallet ISO 2 (GS1 Temporary Code) Standard pallet with dimensions 100 X 120 cm.
203	1/4 EURO Pallet (GS1 Temporary Code) Standard pallet with dimensions 60 X 40 cm.
204	1/8 EURO Pallet (GS1 Temporary Code) Standard pallet with dimensions 40 X 30 cm.
205	Synthetic pallet ISO 1 (GS1 Temporary Code) A standard pallet with standard dimensions 80*120cm made of a synthetic material for hygienic reasons.
206	Synthetic pallet ISO 2 (GS1 Temporary Code) A standard pallet with standard dimensions 100*120cm made of a synthetic material for hygienic reasons.
210	Wholesaler pallet (GS1 Temporary Code) Pallet provided by the wholesaler.
211	Pallet 80 X 100 cm (GS1 Temporary Code) Pallet with dimensions 80 X 100 cm.
212	Pallet 60 X 100 cm (GS1 Temporary Code) Pallet with dimensions 60 X 100 cm.
5L	Bag, textile GS1 Description: A bag made of textile.
5M	Bag, paper GS1 Description: A bag made of paper.
AE	Aerosol A spray can dispensing paint, furniture polish, etc, under pressure.
AH	Pallet 100cms * 110cms Standard sized pallet of dimensions 100centimeters by 110 centimeters (cms). EDIFACT
AI	Clamshell EDIFACT
APE	Aluminium packed (GS1 Temporary Code) Packaging using thin sheets of aluminium.
AT	Atomizer A device to shoot out a fine spray, e.g. medicine, perfume, etc.
BA	Barrel A wooden or plastic container with slightly bulging sides and flat ends.

Used Codes

BC	Bottlecrate, bottlerack A container for the storage or movement of bottles.
BE	Bundle A number of items grouped loosely together in a package by means of tying.
BG	Bag A non-rigid container made of fabric, paper, plastic, etc, with an opening at the top which can be closed.
BGE	Large bag, pallet sized (GS1 Temporary Code) A non-rigid container made of fabric, paper, plastic, etc, with an opening at the top which can be closed and which is suitable for use on pallets.
BJ	Bucket A container with a handle, used for carrying water, mayonnaise, etc.
BL	Bale, compressed A large bundle, as of cotton, hay, straw, etc, which is compressed and bound.
BM	Basin GS1 Description: A deep open container.
BME	Blister pack (GS1 Temporary Code) A transparent strip package of pressable plastic which allows the product to be displayed while remaining protected.
BN	Bale, non-compressed A large bundle, as of cotton, hay, straw, etc, which is not compressed or bound.
BO	Bottle, non-protected, cylindrical A non-protected cylindrical container with a narrow neck made usually of glass or plastic which is especially used for liquids.
BR	Bar An oblong package, usually used for soap.
BRI	Brick (GS1 Temporary Code) A box made of a cardboard, plastic or metal, used for liquids.
BS	Bottle, non-protected, bulbous A non-protected cylindrical container with a bulbous base and a narrow neck made usually of glass or plastic which is especially used for liquids.
BU	Butt A large barrel or cask which is usually used to store or move liquids.
BX	Box A lidded package which can be made of cardboard, wood, plastic, tin, etc.
CA	Can, rectangular A rectangular container which is usually made of metal and has a separate cover.

Used Codes

CBL	<p>Container bottle like (GS1 Temporary Code)</p> <p>A non-protected, non-cylindrical, container with a narrow neck made usually of glass or plastic which is especially used for liquids, e.g. perfume bottle.</p>
CCE	<p>Cardboard carrier (GS1 Temporary Code)</p> <p>A package made of cardboard.</p>
CD	<p>Can, with handle and spout</p> <p>GS1 Description: A can with a handle and spout which allows the lifting and pouring of liquids contained within the can.</p>
CG	<p>Cage</p> <p>A cage without wheels.</p>
CM	<p>Card</p> <p>A flat package usually made of fibreboard from/to which the product is often hung or attached.</p> <p>EDIFACT</p>
CMS	<p>Clamshell (GS1 Temporary Code)</p> <p>A package with a base and top that are hinged together. E.g. video cassette case.</p>
CN	<p>Container, not otherwise specified as transport equipment</p> <p>GS1 Description: A receptacle in which something is kept and/or transported.</p>
CR	<p>Crate</p> <p>A packaging case which is usually made of wooden slats.</p>
CS	<p>Case</p> <p>A package such as a box.</p>
CT	<p>Carton</p> <p>A cardboard box or container.</p>
CU	<p>Cup</p> <p>A small bowl shaped container for beverages, often with a handle.</p>
CW	<p>Cage, roll</p> <p>GS1 Description: A three sided cage mounted on wheels.</p>
CX	<p>Can, cylindrical</p> <p>A cylindrical container which is usually made of metal and has a separate cover.</p>
CY	<p>Cylinder</p> <p>A cylindrical container, which is usually made of cardboard and may have a separate cover.</p>
D99	<p>Sleeve</p> <p>A non-rigid container made of paper, cardboard or plastic that is open-ended and is slid over the contents for protection or presentation.</p>

Used Codes

DA	Crate, multiple layer, plastic GS1 Description: Plastic crate which contains multiple layers.
DB	Crate, multiple layer, wooden GS1 Description: Wooden crate which contains multiple layers.
DC	Crate, multiple layer, cardboard
DG	Cage, Commonwealth Handling Equipment Pool (CHEP)
DH	Box, Commonwealth Handling Equipment Pool (CHEP), Eurobox
DJ	Demijohn, non-protected A large bulbous container made of glass with a narrow neck, which is especially used with liquids (oil, wine).
DK	Crate, bulk, cardboard
DL	Crate, bulk, plastic
DM	Crate, bulk, wooden
DN	Dispenser
DP	Demijohn, protected A large bulbous protected container made of glass with a narrow neck, which is especially used with liquids (oil, wine).
DPE	Display package (GS1 Temporary Code) A package used for the display of goods, usually during a promotion.
DR	Drum A cylindrical container usually used for the storage and movement of oil.
DS	Tray, one layer no cover, plastic
DT	Tray, one layer no cover, wooden
DU	Tray, one layer no cover, polystyrene
DV	Tray, one layer no cover, cardboard
DW	Tray, two layers no cover, plastic tray
DX	Tray, two layers no cover, wooden
DY	Tray, two layers no cover, cardboard
EC	Bag, plastic
ED	Case, with pallet base
EE	Case, with pallet base, wooden
EF	Case, with pallet base, cardboard
EG	Case, with pallet base, plastic
EH	Case, with pallet base, metal

Used Codes

EI	Case, isothermic
EN	Envelope A non-rigid container, made of paper or plastic, that can be opened with a tear or a cut.
FOB	Folding box (GS1 Temporary Code) Folded cardboard box e.g for products like frozen vegetables, paper clips
FP	Filmpack Packaging using a clear thin plastic.
FPE	Foil packed (GS1 Temporary Code) Packaging using a metallic foil.
FT	Foodtainer
GB	Bottle, gas
HA	Basket, with handle, plastic
HB	Basket, with handle, wooden
HC	Basket, with handle, cardboard
HR	Hamper A large basket usually with a cover which is used to store different types of foodstuffs.
IA	Package, display, wooden
IB	Package, display, cardboard
IC	Package, display, plastic
ID	Package, display, metal
IE	Package, show
IF	Package, flow
JC	Jerrican, rectangular A rigid rectangular container with a lid which is usually used for the storage and movement of oil, gasoline, etc.
JG	Jug A container used for storing and pouring the goods.
JR	Jar GS1 Description: A container made of glass, stone, earthenware or plastic with a large opening, which is used to store products, e.g. jams, cosmetics.
JT	Jutebag A bag made of strong fibres.
JY	Jerrican, cylindrical A rigid cylindrical container with a lid which is usually used for the storage and movement of oil, gasoline, etc.

Used Codes

LAB	Labeled package (GS1 Temporary Code) The package is labeled. Usually the label identifies the name, brand or description of the product within the package.
LG	Log
MPE	Multipack (GS1 Temporary Code) A container for the merchandising of multiple units of the same product.
NE	Unpacked or unpackaged A product merchandised or sold without packaging.
NU	Net, tube, plastic
NV	Net, tube, textile
OA	Pallet, CHEP 40 cm X 60 cm CHEP standard pallet of dimension 40 centimeters X 60 centimeters.
OB	Pallet, CHEP 80 cm X 120 cm CHEP standard pallet of dimension 80 centimeters X 120 centimeters
OC	Pallet, CHEP 100 cm X 120 cm CHEP standard pallet of dimension 100 centimeters X 120 centimeters
OD	Pallet, AS 4068-1993 Australian standard Pallet of dimensions 115.5 centimeters X 116.5 centimeters
OE	Pallet, ISO T11 ISO standard pallet of dimensions 110 centimeters x110 centimeters, prevalent in Asia – Pacific region.
OF	Platform, unspecified weight or dimension A pallet equivalent shipping platform of unknown dimensions or unknown weight.
OPE	Oxygen packed (GS1 Temporary Code) A package with oxygen added for storage purposes.
PA	Packet Package type used for the smallest trade unit, e.g., a packet of 20 cigarettes, a packet of potato chips.
PAE	Paper (GS1 Temporary Code) An indication that the item(s) is packed in paper.
PB	Pallet, box
PC	Parcel A small wrapped package.
PD	Pallet, modular, collars 80cms * 100cms
PE	Pallet, modular, collars 80cms * 120cms

Used Codes

PG	Plate A smooth flat thin piece of metal, e.g. steel plate.
PJ	Punnet EDIFACT
PK	Package A wrapped or boxed item.
PL	Pail GS1 Description: An open-topped container usually made of metal or plastic, generally used to carry liquids.
PLP	Peel pack (GS1 Temporary Code) A package used for sterile products which may be torn open without touching the product inside.
PO	Pouch A small bag or sack.
POP	Cone shaped paper wrapper (GS1 Temporary Code) Cone shaped paper wrapping e.g. for an individually packed ice cream cone.
PPE	Polypropylene bag (GS1 Temporary Code) A bag made from polypropylene.
PU	Tray A board with a ring for carrying small articles.
PUE	Tray packed in plastic (GS1 Temporary Code) A board with a ring packed in plastic carrying for small articles.
PUN	Punnet (GS1 Temporary Code) A small shallow basket usually made of plastic.
PX	Pallet
RB1	A wheeled pallet with raised rim (GS1 Temporary Code). 81 x 67 x 135 cm (length x width x height). A wheeled pallet with raised rim for the storing and transporting of loads. Dimensions: 81 x 67 x 135 cm (length x width x height).
RB2	A Wheeled pallet with raised rim (GS1 Temporary Code). 81 x 72 x 135 cm (length x width x height). A wheeled pallet with raised rim for the storing and transporting of loads. Dimensions: 81 x 72 x 135 cm (length x width x height).
RB3	Wheeled pallet with raised rim. 81 x 60 x 16 cm (length x width x height). (GS1 Temporary Code) A wheeled pallet with raised rim for the storing and transporting of loads. Dimensions: 81 x 60 x 16 cm (length x width x height).

Used Codes

RCB	Two sided cage on wheels with fixing strap (GS1 Temporary Code) 900 x 770 x 1513 cm (length x width x height) A two sided cage mounted on wheels with fixing strap. Dimensions: 900 x 770 x 1513 cm (length x width x height).
RG	Ring A hollow circular band of material wound around itself.
RJ	Rack, clothing hanger
RL	Reel A spool on which thread, wire, film, etc, is wound.
RO	Roll A package of goods wound into a ball or cylinder.
SA	Sack A large bag of coarse cloth for storing or moving grain, foodstuffs, etc.
SEC	Article Surveillance (GS1 Temporary Code) Equipped with article surveillance.
SH	Sachet A small sealed envelope.
SL	Slipsheet A firm sheet of plastic, cardboard or other material which may be hooked or attached to a forklift or other transportation equipment. The slipsheet is used to pull products stacked on top of it.
SO	Spool Any cylindrical piece on which something is wound.
SP	Sheet, plastic wrapping EDIFACT
STL	Stick (GS1 Temporary Code) A container for dispensing solid substances, e.g. glue, deodorant.
SW	Shrinkwrapped A transport unit load whose contents are secured together through the use of transparent or semi-transparent filmwrap.
SX	Set
T1	Tablet A loose or unpacked article in the form of a bar, block or piece. EDIFACT
TAE	Tablet (GS1 Temporary Code) A small rectangular package of aluminium foil or paper, e.g. a tablet of chocolate.
TB	Tub A round, open, flat bottomed wooden container.

Used Codes

TEV	Tamper evident package (GS1 Temporary Code) A type of package giving easy or immediate recognition that the package has been tampered with after it has been sealed.
THE	Three pack (GS1 Temporary Code) A package containing three products.
TL	Tub, with lid EDIFACT
TRE	Trolley (GS1 Temporary Code) A low cart for the transportation and storage of groceries, milk, etc.
TTE	Tube, standing (GS1 Temporary Code) A screw-topped pliable cylinder capable of standing and suitable for holding pastes or semi-liquids, e.g. a tube of toothpaste.
TU	Tube A screw-topped pliable cylinder suitable for holding pastes or semi-liquids, e.g. a tube of toothpaste.
TV	Tube, with nozzle
TWE	Two pack (GS1 Temporary Code) A package containing two products.
TY	Tank, cylindrical A cylindrical container suitable for the storage or transportation of liquids or gases.
UUE	Tube net (GS1 Temporary Code) A plastic or textile tube suitable for carrying loose products, e.g. fruit.
UVQ	Wrapped in plastic sheet (GS1 Temporary Code) An indication that the items have been wrapped in plastic sheet.
VI	Vial Small (usually glass) container. E.g. for a liquid medicine or perfume.
VP	Vacuumpacked A package from which all air has been removed in order to keep the contents fresh.
WRP	Wrapper (GS1 Temporary Code) Wrapping e.g. for an individually packed ice cream.
X10	Tub with lid (GS1 Temporary Code) A small, usually plastic, container with a lid for food, e.g. ice cream.
X11	Banded package (GS1 Temporary Code) A package with bands, usually metal or nylon, round it to hold the products together.

Used Codes

X12	Cardboard package with grip holes for bottles (GS1 Temporary Code) Cardboard package with a number of holes. Each hole is to be gripped tightly around the neck of a bottle.
X14	Card (GS1 Temporary Code) A flat package usually made of fibreboard from/to which the product is often hung or attached.
X15	Oneway pallet ISO 0 - 1/2 EURO Pallet (GS1 Temporary Code) Oneway pallet with dimensions 80 X 60 cm.
X16	Oneway pallet ISO 1 - 1/1 EURO Pallet (GS1 Temporary Code) Oneway pallet with dimensions 80 X 120 cm.
X17	Pallet with exceptional dimensions (GS1 Temporary Code) Pallet with non-standard dimensions.
X18	Parcel with exceptional dimensions (GS1 Temporary Code) Parcel with non-standard dimensions.
X3	Standard stack of stones (GS1 Temporary Code) Standard stack of stones.
X9	Pallet 100 X 110 cm (GS1 Temporary Code) Pallet with dimensions 100 X 110 cm.
7077	Description format code Code specifying the format of a description.
A	Free-form long description Long description of an item in free form.
B	Code and text Description of an item in coded and free form text.
C	Code (from industry code list) Description of an item in coded format. GS1 Description: Description of an item provided in coded format from an industry list.
D	Free-form price look up Price look-up description of a product for point of sale receipts.
E	Free-form short description Short description of an item in free form.
F	Free-form Description of an item in free form text. GS1 Description: Item related general free form text description, which is neither a short or long description of the item itself.

Used Codes

S	Structured (from industry code list) Description of an item in a structured format.
7143	Item type identification code Coded identification of an item type.
NB	Batch number The item number is a batch number. GS1 Description: Number supplementing the identification code of a product used to identify the specific production place and/or time of a product.
PV	Promotional variant number The item number is a promotional variant number. GS1 Description: Number supplementing the identification code of a product and identifying that product as a variant of the standard product. To be used when the variation is not sufficiently significant to justify a change to the main identification code of the product.
SA	Supplier's article number Number assigned to an article by the supplier of that article.
SRV	GS1 Global Trade Item Number A unique number, up to 14-digits, assigned according to the numbering structure of the GS1 system. 'GS1' stands for the 'Global Standards One'.
7405	Object identification code qualifier Code qualifying the identification of an object.
BJ	Serial shipping container code GS1 Description: A single unique serial number which identifies shipping containers or shipping packages.
9013	Status reason description code Code specifying the reason for a status.
1	Address ex delivery area The address for delivery is outside the area of the carrier/transporter.
2	After transport departed The goods/consignments/equipment arrived after the means of transport has departed.
3	Agent refusal The agent of the customer refused to accept delivery.
4	Altered seals The seals on the equipment have been changed from those notified.

Used Codes

5	Appointment scheduled An arrangement has been made to deliver at a specific time.
6	Attempt unsuccessful An unsuccessful attempt has been made to deliver the goods/consignments/equipment.
7	Business closed The goods/consignments/equipment could not be delivered/collected as the business was closed.
8	Changed schedule The goods/consignments/equipment cannot/will not be delivered/collected at the arranged time because of a change of schedule.
9	Complementary address needed A further address is needed to effect delivery/collection of the goods/consignments/equipment.
10	Computer system down The computer system is inoperative.
11	Credit approval requested The consignee requests delivery on a credit base.
12	Customer arrangements Goods/consignments/equipment require delivery arrangements by the customer.
13	Customs refusal The Customs authorities have refused to clear the goods/consignments/equipment.
14	Damaged The goods/consignments/equipment have been damaged.
15	Delivery at specific requested dates/times/periods Delivery of the goods/consignments/equipment is requested at specific dates/times/periods.
16	Destination incorrect The goods/consignments/equipment have been sent to wrong destination.
17	Departure delay The transport has been delayed in departing on the arranged transport action.
18	Derailment The train carrying the goods/consignments/equipment has been derailed.
19	Discrepancy There is a discrepancy between the details of goods/ equipment previously provided and the actual situation.

Used Codes

20	Dock strike The goods/consignments/equipment cannot be delivered/collected due to a dock strike.
21	Due to customer An action in the transport chain has been affected due to action of the customer.
22	Empty The package/equipment is found to be empty.
23	Equipment failure Delivery/collection could not be effected due to equipment failure.
24	Examination required by relevant authority An examination of the goods/equipment has been ordered by the relevant authority.
25	Export restrictions The goods/consignments/equipment have been prohibited from export pending further investigation.
26	Frustrated export Attempts to export the goods/consignments/equipment have been unsuccessful.
27	Goods units missing The tally of goods/consignments/equipment does not match the quantity as per advice. Result: less than advised.
28	Import restrictions The goods/consignments/equipment need import checks and tests pending being released for importation.
29	Incorrect pick information The goods/consignments/equipment were not collected due to incorrect pick information.
30	Incorrect address The address given for the action was incorrect.
31	Industrial dispute The action was frustrated by an industrial dispute.
32	Instructions awaited Further instructions are required.
33	Lost goods/consignments/equipment The goods/consignments/equipment have been lost in the course of a movement along the transport chain.
34	Means of transport damaged The means of transport on which the goods/consignments/equipment were being (were to be) moved has been damaged.

Used Codes

35	Mechanical breakdown There has been a mechanical breakdown of the means of transport/equipment on which the goods/consignments/equipment was being (was to be) moved.
36	Mechanical inspection A mechanical inspection of the means of transport/ equipment on which the goods/consignments/equipment were being (were to be) moved, is required.
37	Missing and/or incorrect documents The goods/consignments/equipment require complete and correct documentation.
38	New delivery arrangements Alternative delivery arrangements advised by consignee after failed delivery.
39	No recipient contact information No information available concerning the responsible person at delivery address.
40	Not identified The goods/consignments/equipment expected to be located and identified in the transport chain cannot be identified.
41	Not loaded The goods/consignments/equipment to be loaded onto a means of transport have not been loaded on the expected transport.
42	On deck The goods/consignments/equipment have been stowed on deck.
43	Package not ready The package was not available for collection.
44	Package tracking number unknown The package tracking number is unknown.
45	Partly missing The goods/consignments/equipment are partly, but not completely, missing.
46	Payment not received The expected payment for the transport action was not received.
47	Payment refused The payer refused to pay for the service.
48	Plundered The goods/consignments/equipment has been plundered.
49	Refused without reason given The transport action/documentation has been refused without explanation.
50	Scheduled past cut-off The goods/consignments/equipment to be delivered/collected have been scheduled past/after the cut-off time.

Used Codes

51	Shunted to siding The transport on which the goods/consignments/equipment is to be placed has been shunted to siding.
52	Signature not required Self explanatory. GS1 Description: A signature is not required.
53	Sorted wrong route The goods/consignments/equipment have been sorted erroneously to an incorrect route.
54	Special service required A special service is required for the goods/consignments/equipment.
55	Split The consignment of goods has been split into two or more consignments.
57	Tracking information unavailable The tracking information of the goods/consignments/equipment is unavailable.
58	Transit delay The goods/consignments/equipment has been delayed in transit.
59	Unable to locate The goods/consignments/equipment cannot be located.
60	Unacceptable condition The goods/consignments/equipment were in unacceptable condition at time of delivery/collection.
61	Under deck The goods/consignments/equipment have been stowed under/below deck.
62	Unknown The reason is unknown.
63	Weather conditions The weather conditions have affected collection/delivery.
64	Expired free time The goods/consignments/equipment have been in a storage facility for longer than permitted free time.
65	Outstanding claims settled Outstanding claims in respect of goods/consignments/equipment have been settled.
66	Stolen A consignment or goods have been stolen.

Used Codes

67	Administrative error An administrative error has occurred. GS1 Description: An administrative error has occurred during the process of the order of goods.
68	Undefined incident attributed to buyer An undefined incident has been attributed to the buyer.
69	Undefined incident attributed to carrier An undefined incident has been attributed to the carrier.
70	Undefined incident attributed to logistic service provider An undefined incident has been attributed to the logistic service provider.
71	Change in agreed product reference An agreed reference associated with a product has changed.
72	Difference in replenishment figures A difference has been identified between the opening inventory balance, the physical count of incoming replenishment inventory, and the closing inventory balance.
73	Lost quantity of variable measurement product A quantity of a variable measurement product which has been lost.
75	Product degenerated during storage or transport A product has degenerated during storage or transport. GS1 Description: A product has degenerated, e.g. fermented, oxidised, during storage or transportation.
76	Destroyed The goods, consignments, or equipment have been destroyed.
77	Best before date expired A product's best before date has expired. Product was out of date (best before date expired).
88	Accident involving means of transport The means of transport being used to move the consignment has been involved in an accident.
89	Order or instruction status change A status of an order or instruction has changed. GS1 Description: The status of an order/instruction, or goods, has changed.
91	Delivery requested to another location by ordering party Goods have been delivered to another location following an instruction from the ordering party.

Used Codes

92	<p>Incorrect goods delivered</p> <p>The goods delivered were incorrect.</p> <p>GS1 Description: The goods delivered was not equal to those which were ordered.</p>
93	<p>Undefined incident attributed to customs authority</p> <p>An undefined incident has been attributed to the customs authority.</p>
95	<p>Excess goods delivered</p> <p>Excess goods have been delivered.</p>
96	<p>Goods partially delivered</p> <p>Goods were partially delivered.</p>
100	<p>Unloading date and or time not received</p> <p>The unloading date and or time was not received.</p> <p>GS1 Description: The goods' recipient did not receive a date/time assigned for unloading this delivery.</p>
101	<p>Stacked pallets not acceptable</p> <p>Stacked pallets are not accepted by the goods recipient.</p> <p>EDIFACT</p>
102	<p>Pallets containing mixed goods not acceptable</p> <p>Pallets containing mixed goods are not accepted by goods recipient.</p>
103	<p>Product expiry date not acceptable</p> <p>The product expiry date is not accepted.</p>
104	<p>Pallet and goods height higher than permitted</p> <p>The combined height of the pallet and goods is higher than permitted.</p>
105	<p>Delivery order not received</p> <p>The delivery order was not received.</p> <p>GS1 Description: The goods' recipient did not receive an order for this delivery.</p>
106	<p>Back-orders not permitted by goods recipient</p> <p>Back-orders are not permitted by the goods recipient.</p>
107	<p>Article identification not found in computer system</p> <p>Article identification is not found in computer system.</p> <p>GS1 Description: Article is not in in-house system of the goods' recipient.</p>
108	<p>Goods not barcoded</p> <p>Goods are not barcoded.</p> <p>GS1 Description: Goods are not barcoded.</p>
116	<p>Missing (GS1 Temporary Code)</p> <p>Specified goods/consignments/equipment are missing.</p>

Used Codes

192	Non-operational periods (GS1 Temporary Code) Waiting due to being outside the period of operation.
246	Delayed due to various reasons (GS1 Temporary Code) Standing over due to various reasons
260	Missing contents (GS1 Temporary Code) When checking a suspect parcel, the consignee found that contents were missing.
263	Standing over: collect freight charges (GS1 Temporary Code) Instructions are awaited as the consignee refused to pay the collect freight charge.
264	Standing over: reimbursement (GS1 Temporary Code) Instructions are awaited as the consignee refused to pay the reimbursement requested by the consignor.
22E	Delivered later than scheduled date/time (GS1 Temporary Code) Delivery has taken place later than the scheduled date/time.
23E	Delivery different date (GS1 Temporary Code) Delivery will, or has, taken place on a date different to that requested on the order.
25E	Goods previously delivered (GS1 Temporary Code) A delivery of goods has been refused because delivery of the same goods had already taken place.
26E	Goods damaged in warehouse (GS1 Temporary Code) Goods ready for delivery, or already delivered, have been damaged in the warehouse before delivery.
27E	Loading error (GS1 Temporary Code) An error while loading the order or goods has occurred, e.g. wrong goods, wrong transport equipment, wrong mode of transport, etc.
28E	Delivery too late (GS1 Temporary Code) A delivery of an order or goods has been refused because it has arrived late.
29E	Partial delivery not accepted (GS1 Temporary Code) A partial delivery of an order has not been accepted by the ordering party.
30E	Unloading of goods delayed (GS1 Temporary Code) The unloading of goods at the point of delivery has been delayed by the carrier for no specific reason.
31E	Product out of stock (GS1 Temporary Code) An order for a specific product can not be fulfilled currently because the product is out of stock.
35E	Incident attributed to seller (GS1 Temporary Code) An undefined incident has been attributed to the seller.

Used Codes

38E	Incident not attributed (GS1 Temporary Code) An undefined incident has not been attributed to any party.
45E	Delivery not accepted if damaged goods not removed (GS1 Temporary Code) Indication that the delivery party will not accept delivery of the goods if damaged goods are not removed upon delivery.
51E	Damaged during manipulation (GS1 Temporary Code) Product damaged during the manipulation process in a warehouse or during transport.
56E	Wrong item(s) supplied (GS1 Temporary Code)
58E	Imperfect condition (GS1 Temporary Code) Items received have manufacturing defects which make them unacceptable.
60E	Short delivered (GS1 Temporary Code)
61E	Other (GS1 Temporary Code) An other incident (undefined) has occurred.
62E	Quantity error (GS1 Temporary Code)
63E	Monetary amount error (GS1 Temporary Code) The reason for an error is an error concerning the monetary amount.
64E	Product not ordered (GS1 Temporary Code) The reason for an error is a product was not ordered.
65E	Product not accepted (GS1 Temporary Code) A product was delivered which was not accepted by the delivery party.
66E	Despatch preparation error (GS1 Temporary Code) The error was caused because of an error in the preparation of the despatch.
67E	Inventory differences (GS1 Temporary Code) Differences in inventory detected when carrying out a physical inventory count.
68E	Physical movement between warehouses (GS1 Temporary Code) A difference in inventory due to physical movement between warehouses.
69E	Manipulation (GS1 Temporary Code) A difference in inventory due to the physical manipulation of goods.
70E	Importation (GS1 Temporary Code) A difference in inventory due to the addition of imported goods to inventory.
71E	Delivery party premise closed during normal hours (GS1 Temporary Code) The premises of the delivery party were closed during normal hours.
72E	Delivery incomplete - time shortage at delivery location (GS1 Temporary Code) The carrier was unable to complete the delivery of goods due to a shortage of time at the delivery location to handle the delivery.

Used Codes

77E	No stacked pallets admitted (GS1 Temporary Code) Stacked pallets are not admitted.
84E	Delivery party premise closed for stock taking (GS1 Temporary Code) The premises of the delivery party were closed because of stock taking.
85E	Delivery party premise closed on Saturday (GS1 Temporary Code) The premises of the delivery party were closed on Saturday.
86E	Delivery party premise closed on national holiday (GS1 Temporary Code) The premises of the delivery party were closed on a national holiday.
87E	Postponed delivery (GS1 Temporary Code) Temporary refusal of a part or of the whole delivery.
90E	Not delivered (GS1 Temporary Code) The goods/consignments/equipment have not been delivered.
X35	After action taken by logistics service provider (GS1 Temporary Code) After an action was taken on the goods/consignments/equipment by the logistics service provider.
X47	Logistics service provider following instructions by owner (GS1 Temporary Code) Action taken by the logistics service provider on goods/consignments/equipment as instructed by owner.
X48	Arrived (GS1 Temporary Code) The goods/consignments/equipment/means of transport has arrived at a location.
X49	Expiration of sales period (GS1 Temporary Code) Goods' sales period has expired.
X50	Awaiting release (GS1 Temporary Code) Goods are on hold awaiting release.
X51	Quality control held (GS1 Temporary Code) Goods held from distribution waiting for the outcome of a quality control assessment.
X60	Incident attributed to despatch party (GS1 Temporary Code) Incident has been attributed to the despatch party.
X61	Temperature variation (GS1 Temporary Code) Temperature variation upward or downward
X62	Truck/lorry removed (GS1 Temporary Code) Tuck/lorry was removed by LSP. The down time/wait time was too long.
X63	No/missing loading space (GS1 Temporary Code) The goods/consignment/equipment could not be loaded because of no/missing loading space.

Used Codes

9015	Status category code Code specifying the category of a status.
UP6	Status Old
UP7	Status New

Example

UNA:+.? '

The UNA segment contains the default service string characters.

UNB+UNOC:3+401234500009:14:401234500018+400000400002:14:400000400009+161013:1043+4711+REF:AA++++EANCOM+1 '

The EANCOM file 4711 dated 13.10.2016, 10 h 43 is sent by the issuer identified with GLN 401234500009 to the receiver identified with GLN 400000400002.

UNH+ME000001+INVRPT:D:01B:UN:EAN005 '

The reference number of the INVRPT message is ME000001.

BGM+78+INVR21599+9 '

The Document Number is INVR21599.

DTM+137:20160823:102 '

The document date is the 23th of August 2016.

DTM+366:20170321:102 '

The inventory report date is the 21th of March 2017.

NAD+SU+4399899175941::9+X:X:X:X:X '

The supplier is identified by GLN 4399899175941.

RFF+GN:HRB-471111 '

German Statements on business letters: HRB-471111.

NAD+MR+401234550004::9 '

The supplier is identified by GLN 401234550004.

NAD+LSP+4012345000092::9+X:X:X:X:X '

The logistic service provider is identified by GLN 4012345000092.

RFF+GN:HRB-471111 '

German Statements on business letters: HRB-471111.

NAD+SN+4312345001205::9+X:X:X:X+Lager1: Lager2+Maarweg 23+Köln++50835+DE '

The warehouse is identified by GLN 4312345001205.

RFF+GN:HRB-471111 '

German Statements on business letters: HRB-471111.

LIN+1++5412345111115:SRV '

The product has the GTIN 5412345111115.

PIA+1+435DGF5353:SA::91 '

The article number of the supplier is 435DGF5353.

PIA+1+4056786542381:PV::9 '

The promotional product has the GTIN 4056786542381.

PIA+1+4381:NB '

The batch number is 4381.

INV+1 '

Indication of the stock movements, here movement out of inventory.

QTY+156:12 '

The stock movement amount is 12.

LOC+14+::9+ABCDEF '

The goods are in the logistic area ABCDEF.

Example

DTM+361:20160612:102'

The best before date is 12th of June 2016.

STS+UP6::246+3::9'

The status old is "Arrival, in defective condiditon".

STS+UP7::246+63::9'

The status new is "Not accepted".

CPS+1'

The only level of the hierarchy of consignments.

PAC+4++CT::9'

Four cartons.

PCI+33E'

The carton is equipped with SSCC.

GIN+BJ+340123450000000014'

The SSCC is 340123450000000014.

UNT+26+ME000001'

The message contains 26 segments.

UNZ+1+4711'

The transmission file contains 1 message.
